



SLIM STYLE OVAL POOL

ASSEMBLY INSTRUCTIONS

**3 Foot
Centers**



GENERAL

Installation of this above ground pool is not extremely hard or confusing, but it is a big job. The secret to installing a pool so that it will give you years of pleasure is to take the time to follow instructions and do things right the first time. Your pool warranty is void if these instructions are not followed 100%. Read all instructions including accessories such as filters, pumps, skimmers, decks, etc. prior to starting. Before you start, check to see that you have the correct number of parts. Use your parts list which is broken down by carton. The manufacturer reserves the right to revise, change, or modify construction of its pools.

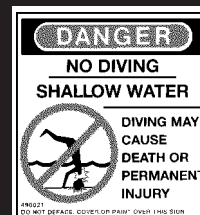
NOTE: If a power drill is used during installation, it should be a variable speed drill used on low setting. Torque should not exceed 39 inch pounds.

FAILURE TO COMPLY COULD RESULT IN SCREWS STRIPPING OUT.

DANGER

DO NOT DIVE OR JUMP
into your pool. Your pool is
approximately 4' deep.
It is not designed for diving or
jumping. If you dive or jump
into your pool you run the risk
of permanent injury or death.

Alert all visitors
and family of
this and point
out all warning
labels supplied.



ADULT SUPERVISION REQUIRED!

313 REGINA AVENUE, RAHWAY, NEW JERSEY 07065-4891

Phone: (732) 574-1500 • Fax: (732) 574-1551 • www.swimnplay.com • E-mail: info@swimnplay.com

CONTRACT INSTALLATIONS

The manufacturer is in no way affiliated with any professional pool installer. Therefore the manufacturer can assume no responsibility for errors in installation by the home owner or said professional installer. If you have your POOL installed by others, please supervise them to be sure they comply with the proper installation techniques shown. Their past experience or short cuts may not cover the latest improvements in our POOLS. Do not allow any short cuts of any nature.

LOCAL CODES

- Local building code may require obtaining a building permit and or an electrical permit. The installer shall follow the regulations on set backs, barriers, devices and other conditions.
- Any after market or home built deck should be built to the local building code requirements, including load capacity and fencing requirements.
- All electrical outlet connections should be a minimum of 5 feet from the outside perimeter of the wall of the pool. From 5-10 feet there should be either a fixed connection (outlet box) or twist lock connection with a GFCI. Connect power cords to a 3-wire grounding-type outlet only.
- Severe electrical shock could result if you install your pump or filter on a deck. They could fall into the water, causing severe shock or electrocution. Do not install on a deck or other surface at, above or slightly below the top ledge of the pool.

BARRIER REQUIREMENTS

- If the distance from the top of the assembled pool is less than 48" vertically from the surrounding grade, a fence or barrier is needed to surround the pool with a minimum height of 48".
- A barrier is necessary to provide protection against potential drowning and near drowning and is not a substitute for constant supervision of children. A barrier is a fence, wall, or a combination thereof which completely surrounds the swimming pool and obstructs access to the swimming pool. Barriers must comply with local and national building codes and the US Consumer Product Safety Commission.
- These are minimum fencing and barrier requirements. Check your local building codes for other requirements they may request. Optional fencing kits are available, Please contact your local dealer.
- If pool covers are used for safety barriers they should comply with ASTM F 1346 "Standard Performance Specification for Safety Covers and Labeling Requirements for All Covers for Swimming Pools, Spas and Hot Tubs."

SPECIAL CARE

Even though this manufacturer's pools are designed to meet or exceed industry recommended safety factors, special attention must be paid to some installation procedures that the installer performs and controls.

- **Levelness** Spend the time to assure that the entire pool framework is level within 1". Unlevel pools place extreme pressures on the pool walls.
- **Wall seam** This area is where the wall joins together. Damage to any part of this area reduces the safety factors and can result in a weak pool. Use extreme care following instructions.
- **Earth mound** This keeps the liner from creeping out from under the pool wall. Follow instructions to the letter – don't short-cut or substitute materials. Improperly installed pools can rupture, allowing thousands of gallons of water to rush out causing extensive property damage and injury to anyone in its path.
- This manufacturer's pools are not designed to be buried. Outside ground forces can collapse pool wall. Certain conditions may exist, like the levelness of the pool area that require the pool to be recessed. You must maintain a finished pool height of 36" above ground level. If your pool is 48" deep, you may recess the pool by 12" ($48"-36"=12"$). Consult your local pool professional and building codes as to the use of earth retaining walls to recess your pool deeper than this recommended amount. Make sure that the pool remains full of water for at least 7 days before backfilling the pool recess. Place a layer of plastic film against the pool before backfilling to protect the pool from corrosion agents that may be found in the backfill materials.
- The pool owner has the sole responsibility for providing adequate lighting for the pool area.
- All users must be able to see the shallow depth of the pool, and safety signs at all times.
- You must install a pool ladder(s) and/or steps for entry and exit from the pool.
- The use of artificial pool lighting is at the discretion of the pool owner.
- All electrical components shall be installed in accordance with Article 680 of the National Electrical code 1999 (NEC®) "Swimming Pools, Fountains and Similar Installations" or its latest approved edition.

- During night time pool use, artificial lighting shall be used to illuminate all safety signs, ladders, steps, deck surfaces and walks.
- The installer shall follow written instructions provided for operation of the circulation system.
- Decks shall meet local codes and comply with ANSI/NSPI-8 1996 "Model Barrier Code for Residential Swimming Pools, Spas and Hot Tubs" or the latest approved edition.
- Underwater lights having front access shall be installed and removed only with use of tools.
- The installer of the vinyl liner shall affix on the original or replacement liner, or on the pool structure, all safety signs in accordance with the manufacturer's instructions. The safety signs shall be placed above the water line.

All components such as the filtration system, pumps and heater shall be positioned so as to prevent their being used as a means of access to the pool by young children.

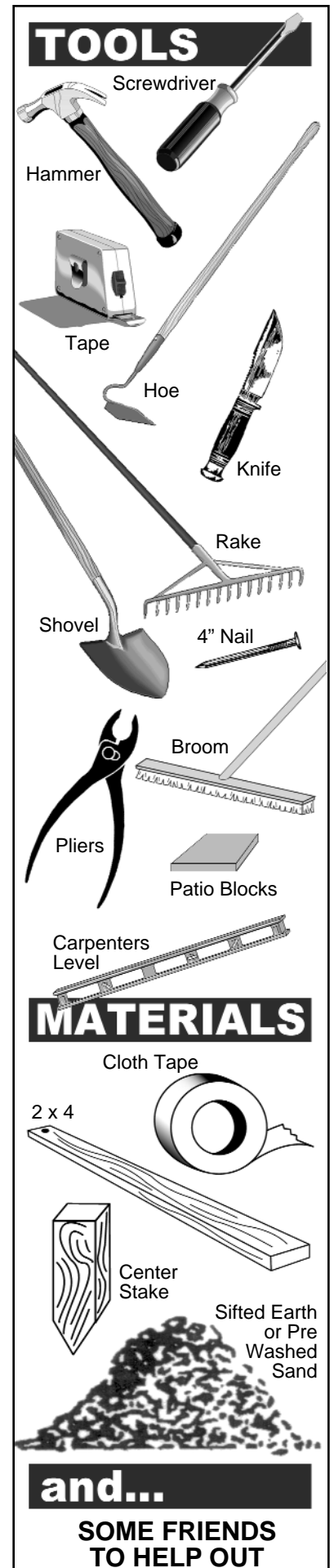
INTRODUCTION

The installation of an average size pool (12' - 30' diameter) will usually require three people to help set it up. Listed is an assortment of tools and materials which you will need for preparing the ground, checking the levelness, and setting up the pool.

SELECTING POOL LOCATION

The selection and preparation of the pool site is your responsibility. The manufacturer can only suggest the proper techniques, indicate the important considerations and emphasize the precautions, and cannot be held responsible for damages to your pool that may result from failure to carefully follow all pool site specifications.

1. The surface on which your pool will stand must be **ABSOLUTELY LEVEL AND SOLID**. This condition should extend one (1) foot beyond the actual pool area all around. The best surface is bare solid earth free from stones, roots, and other sharp objects.
2. Allow plenty of play area around the pool. Fit the location into your landscaping plans.
3. The pool site must be accessible to electrical and water supply and should allow for disposal of great quantities of water when pool is drained.
4. When installing your pool on a **SOLID LEVEL SURFACE**, it is imperative that you protect your pool and liner from chemicals and other foreign matter contained in the surface. Protect your pool and liner by inserting between them and the surface any material that is not made from a tar derivative or contains sharp twigs, etc. We suggest the use of a plastic ground shield to be used between the surface and the pool liner (See step 2). Do not install your pool on peat moss, tar paper, gravel or chemically treated soil not approved for pool use. Any or all of these surfaces can ruin your pool and liner and will void your warranty.
5. Do not set up your pool under trees or under overhead wires.
6. **DO NOT** set up your pool near any existing structure such as your house garage, etc., as this condition will induce diving or jumping into your pool which could result in permanent injury or death.
7. Do not set up your pool on or near any septic system or underground utilities.
8. Choose your pool location convenient for:
 - a. Connecting electrical wires of your accessories (filter, heater, lights) to your electrical outlets conforming to electrical codes.
 - b. Draining large amounts of water.



INSTALLATION • ASSEMBLY STEPS

READ CAREFULLY BEFORE STARTING POOL ASSEMBLY

CONSTRUCTION CLOSE-UPS

Use the illustrations below as a guide for the assembly of your pool

DELUXE POOLS
with Box Vertical

**6" EXTRUDED
ALUMINUM POOLS**
with Box Vertical

7" XL POOLS
with Column
Vertical

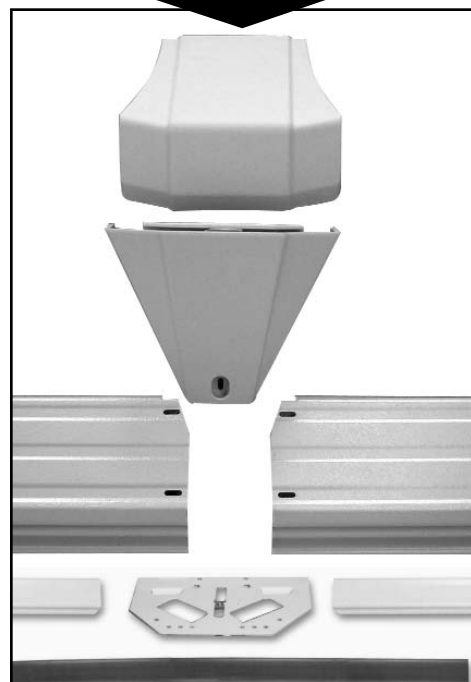
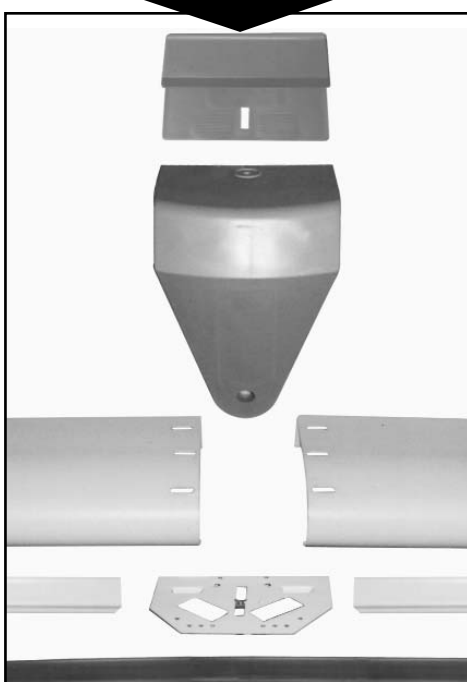
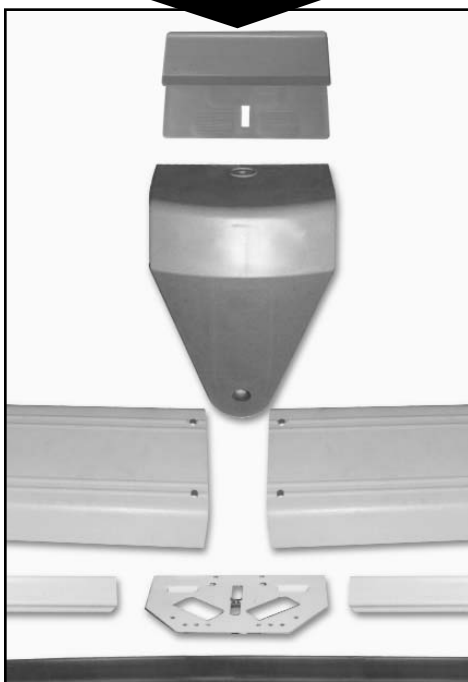
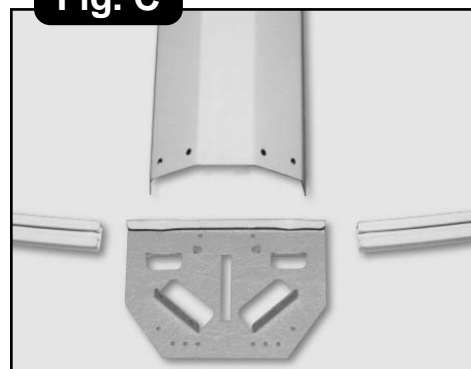
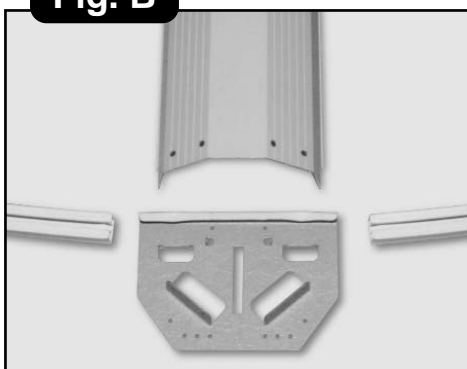
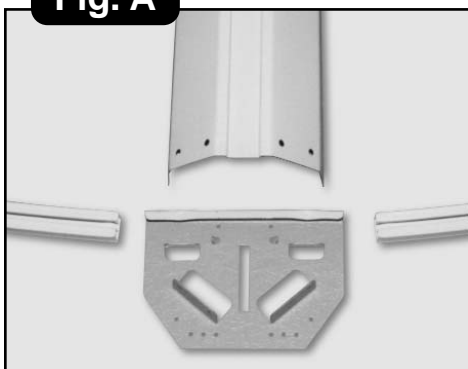


Fig. A

Fig. B

Fig. C



INSTALLATION • ASSEMBLY STEPS

READ CAREFULLY BEFORE STARTING POOL ASSEMBLY

CONSTRUCTION CLOSE-UPS

Use the illustrations below as a guide for the assembly of your pool

7" XL POOLS

with Column Vertical
& Wrap Around Covers



Fig. D

DELUXE POOLS

with Column Vertical
& Wrap Around Covers

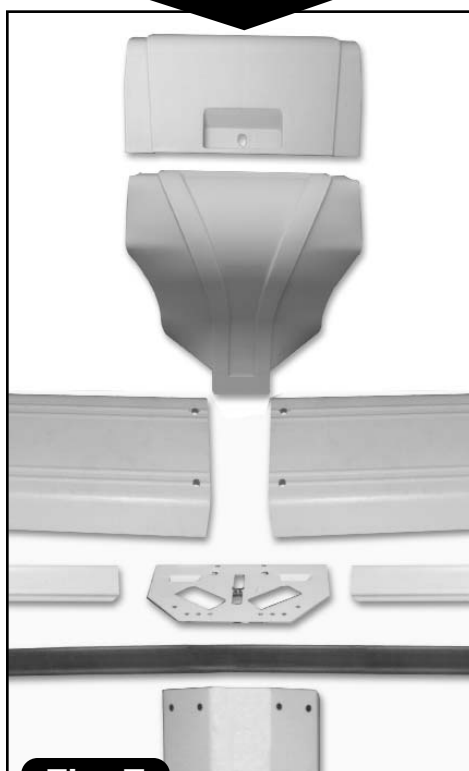


Fig. E

SUPREME POOLS

with
Wrap Around Covers

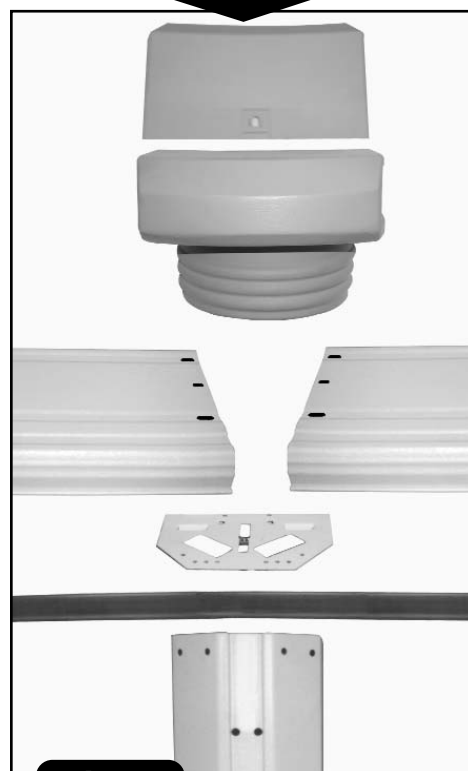
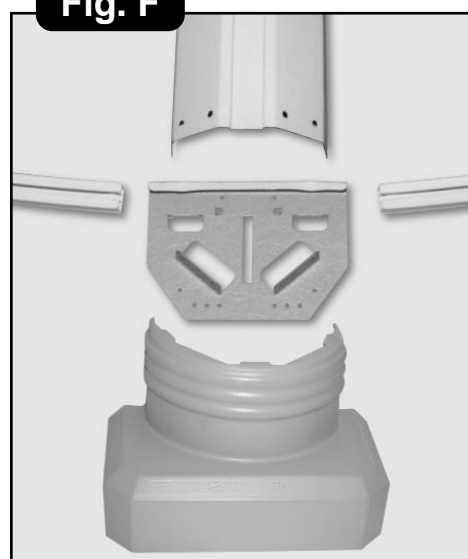
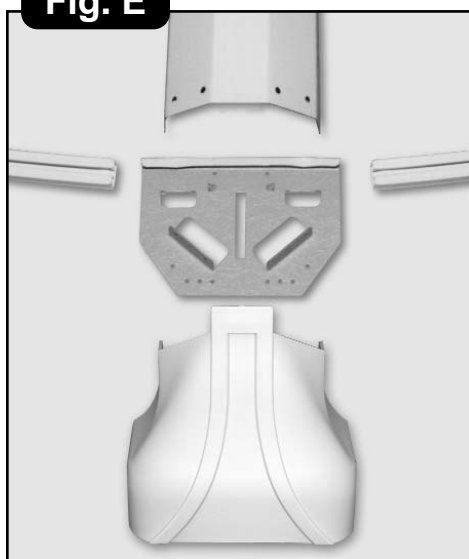
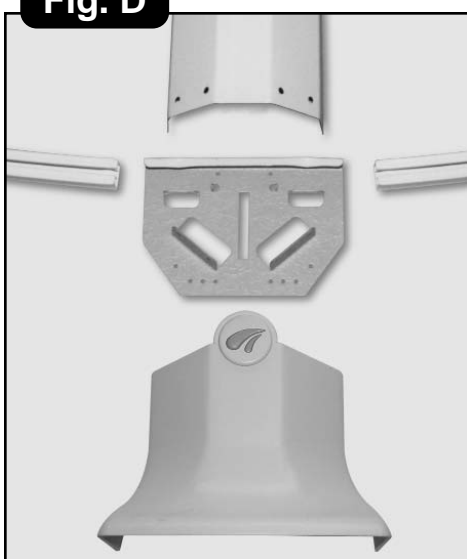


Fig. F

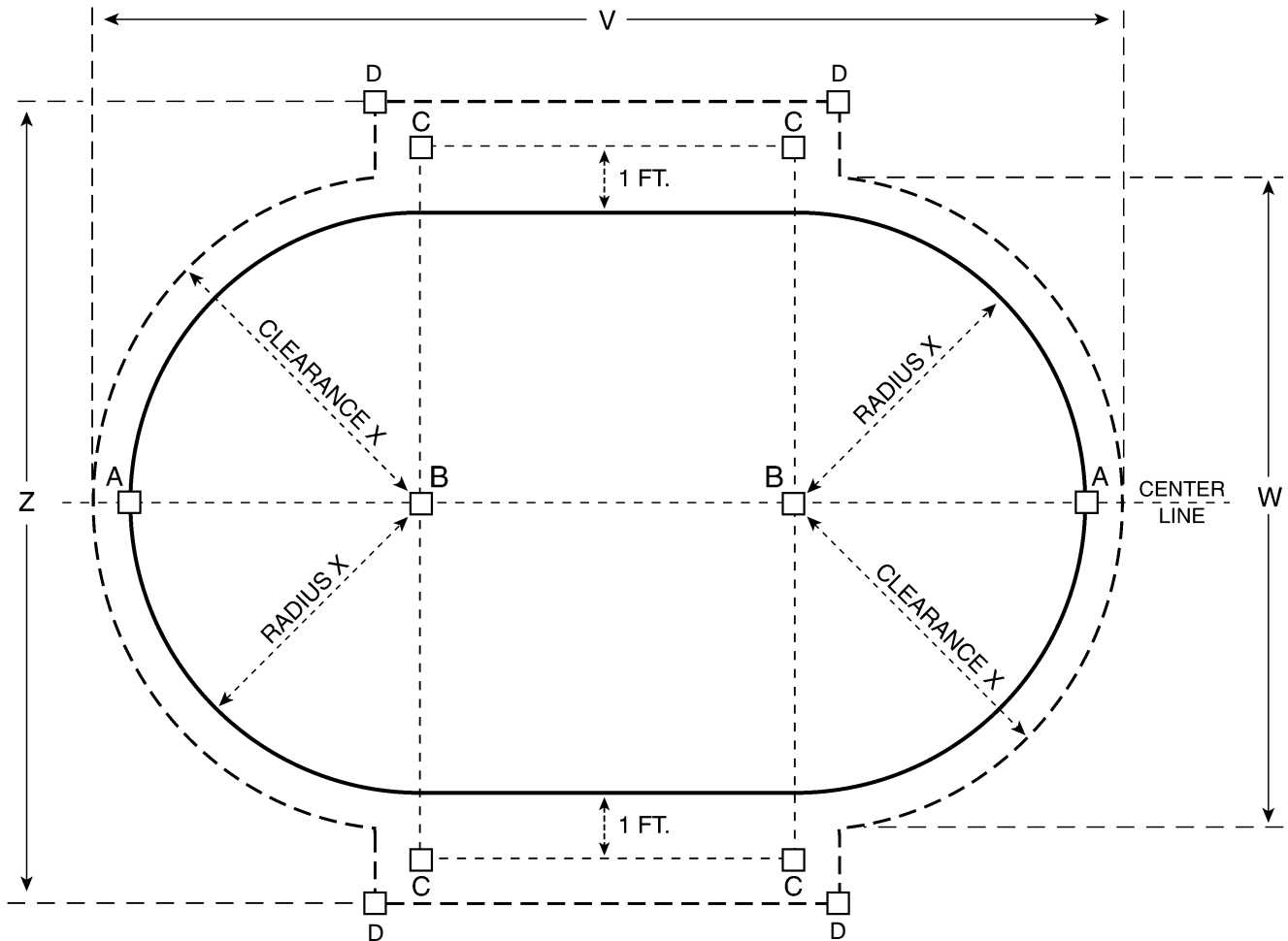


PREPARING THE GROUND

1

Your pool must be installed on a solid level surface. After the pool location is selected drive the two end stakes "A" into the ground and mark the center line using string. Using the proper chart below (for your pool size) measure in along the center line from the end of the pool and drive your center stakes "B" into the ground.

Use a length of string tied to the center of each stake "B" and mark the area using a can of spray paint or flour. Connect each radius area to make a complete oval layout of your pool.



NOTE: On the 12' x 8' pool the center of the first and last buttress are offset to the inside of the pool by 6" from the stake "C" to "C" line. On the 15' x 10' pool the center of the first and last buttress are offset to the inside of the pool by 12" from the stake "C" to "C" line.

ACTUAL POOL DIMENSIONS							CLEARANCE SIZE				
POOL SIZE	DISTANCE: A TO A (Pool Length)	DISTANCE: A TO B (also Radius X)	DISTANCE: B TO B	DISTANCE: B TO C	DISTANCE: A TO C	DISTANCE: C TO C (across pool) WIDTH	X Clearance Radius	V Clearance Length	W	Z Clearance Width	DISTANCE: D to D
12 x 8	12'	4'	4'	5'	6' 4 ³ / ₄ "	10'	4' 6"	13'	9'	11'	5'
15 x 10	15'	5'	5'	6'	7' 9 ³ / ₄ "	12'	5' 6"	16'	11'	13'	6'
18 x 12	18'	6'	6'	7'	9' 2 ¹ / ₂ "	14'	6' 6"	19'	13'	15'	7'
24 x 12	24'	6'	12'	7'	9' 2 ¹ / ₂ "	14'	6' 6"	25'	13'	15'	13'
24 x 15	24'	7' 6"	9'	8' 6"	11' 4"	17'	8'	25'	16'	18'	10'
30 x 15	30'	7' 6"	15'	8' 6"	11' 4"	17'	8'	31'	16'	18'	16'
33 x 18	33'	9'	15'	10'	13' 5 ¹ / ₂ "	20'	9' 6"	34'	19'	21'	16'

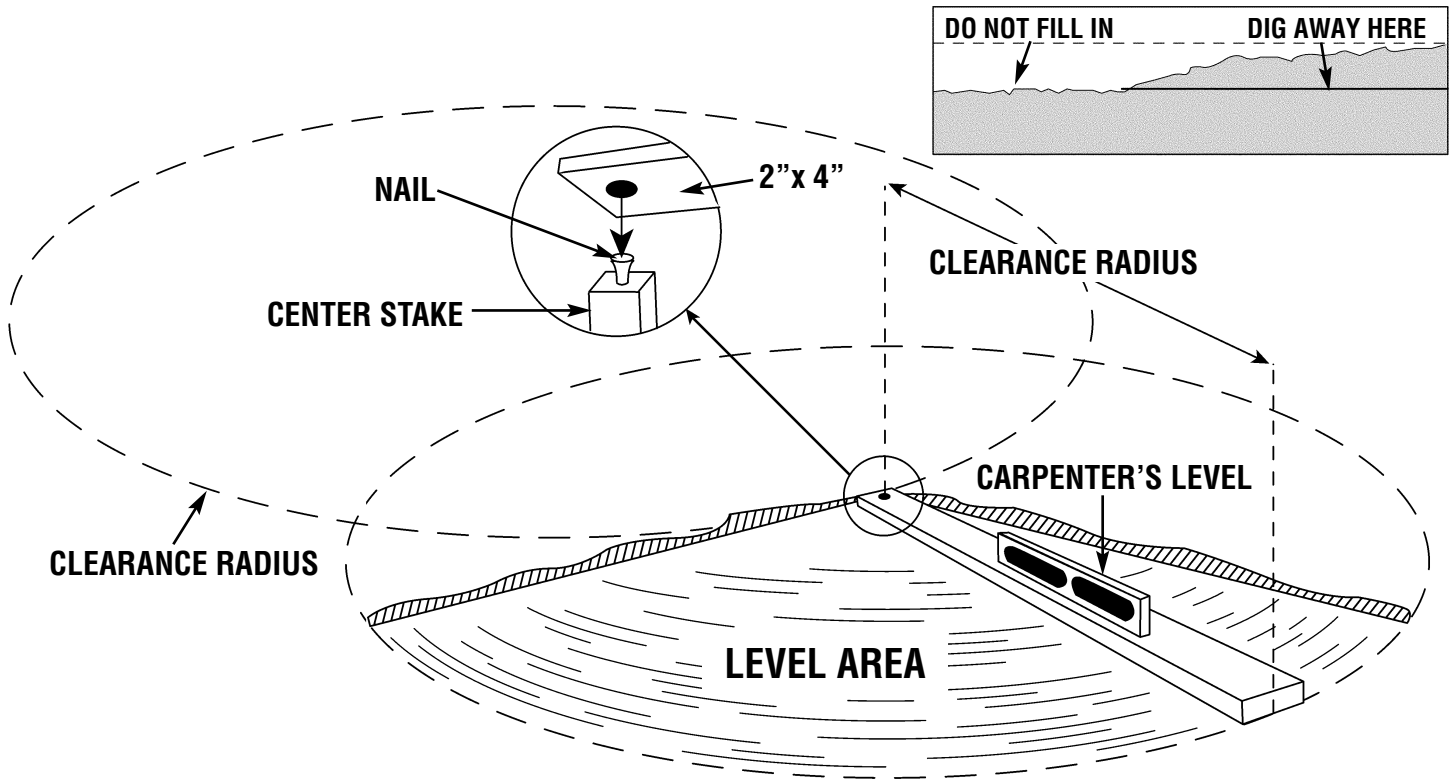
LEVELING THE GROUND

2

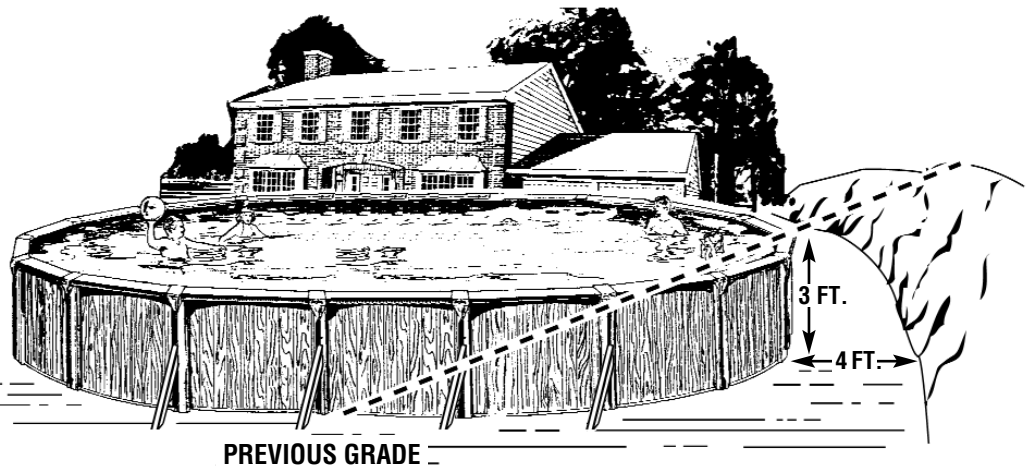
Using the "CLEARANCE SIZE" chart on page 6, determine the clearance size for your pool.

With the use of the leveling device shown and a shovel start leveling the ground, removing all grass and sharp objects such as sticks and stones.

Level area to the lowest spot within the clearance radius. **DO NOT FILL IN LOW SPOTS.** Give special attention to the outer part of the circle as this is where the bottom track and pool wall will rest and must be absolutely level. Clearance radius = $\frac{1}{2}$ pool width + 6".



The assembled pool must have a vertical distance of 3' from the top of the pool to the adjoining grade and the adjoining grade must remain level for a distance of 4' away from the pool. Refer to the drawing at right.



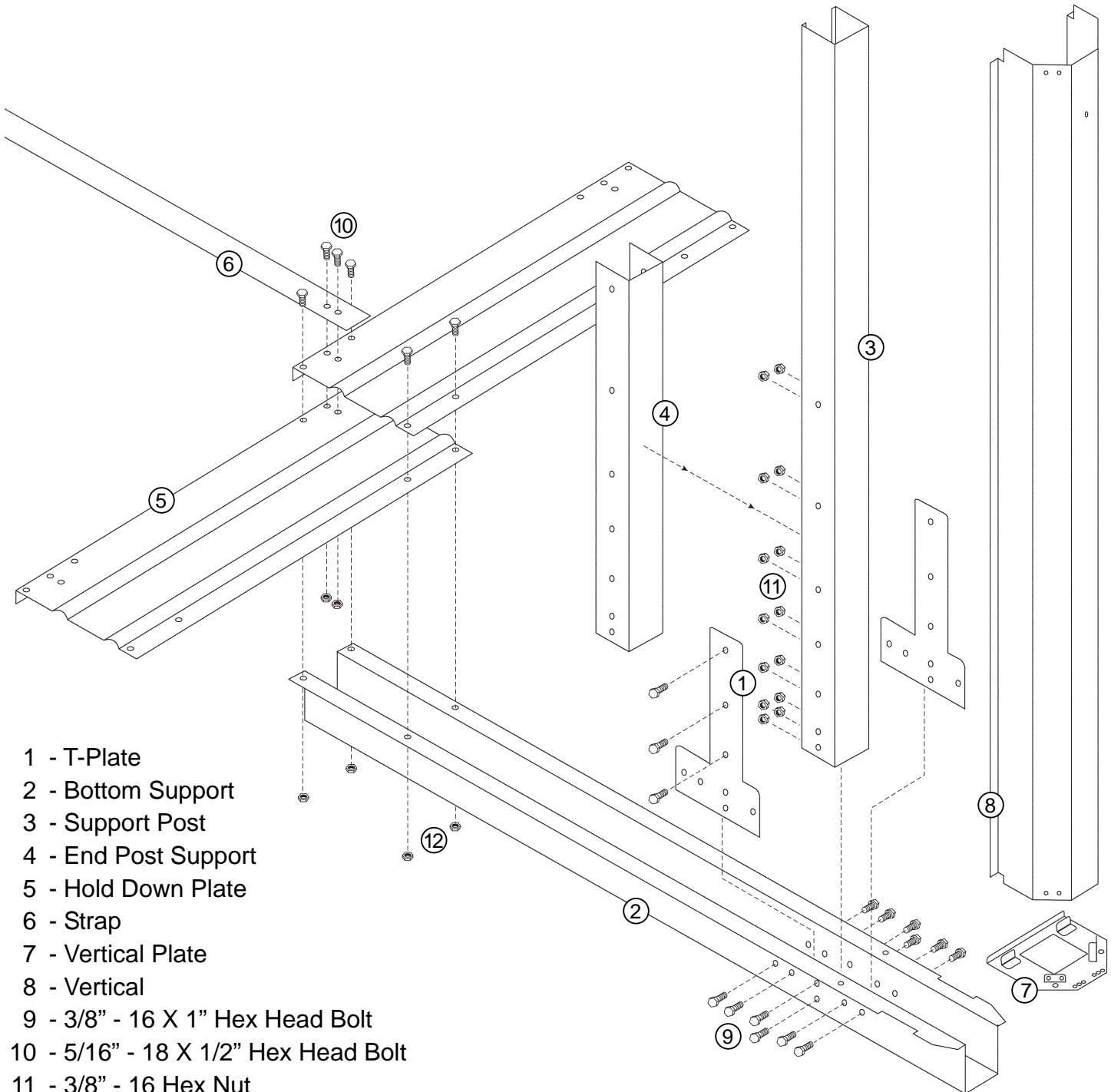
WARNING - LEVELING THE GROUND

**THIS IS THE MOST IMPORTANT PART OF YOUR PREPARATION OF POOL SITE.
YOU MUST GIVE CAREFUL ATTENTION TO THIS PHASE.
REMEMBER — YOUR POOL MUST BE INSTALLED ON SOLID LEVEL SURFACE.**




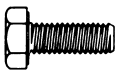

SIDE SUPPORT ASSEMBLING

3

Unpack and assemble the supports using the steps in the following pages.



- 1 - T-Plate
- 2 - Bottom Support
- 3 - Support Post
- 4 - End Post Support
- 5 - Hold Down Plate
- 6 - Strap
- 7 - Vertical Plate
- 8 - Vertical
- 9 - 3/8" - 16 X 1" Hex Head Bolt
- 10 - 5/16" - 18 X 1/2" Hex Head Bolt
- 11 - 3/8" - 16 Hex Nut
- 12 - 5/16" - 18 Hex Nut

				
3/8" - 16 x 1" HEX HEAD BOLT	3/8" - 16 HEX NUT	#12 X 1/2" SHEET METAL SCREW	5/16" - 18 x 1/2" HEX HEAD BOLT	5/16" - 18 HEX NUT

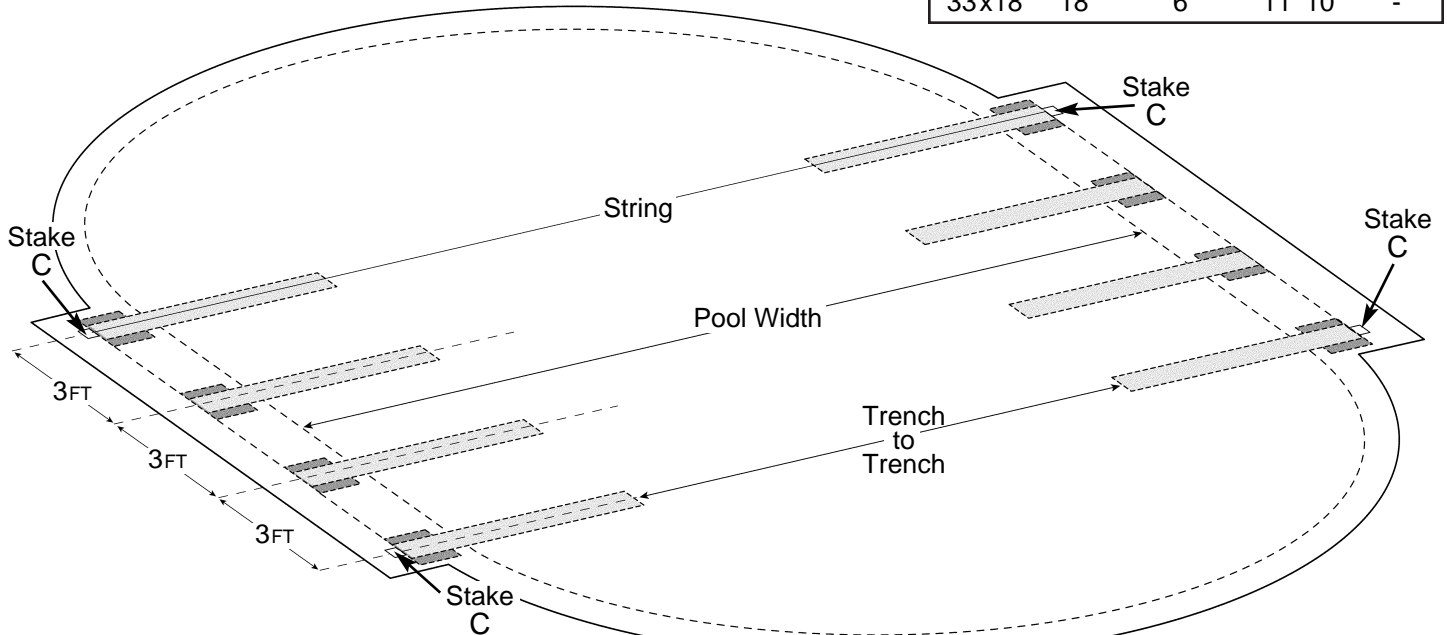
PREPARE BUTTRESS TRENCHES

Use the chart on page 6 to find the correct distance from C to C for your pool. Tie a string on each end from C to C, across the leveled area to create the center line of the end trenches.

Measure 3 feet from the center line of C towards the inside to determine the center line of the next trench. Repeat this step as many times as needed for your pool size.

Important: All trenches must be 3 feet apart from its center.

Pool Size	Pool Width	Number of trenches (Each Side)	Trench to Trench	Offset from Stake B
12x8	8'	2	1' 10"	6"
15x10	10'	2	3' 10"	12"
18x12	12'	3	5' 10"	-
24x12	12'	5	5' 10"	-
24x15	15'	4	8' 10"	-
30x15	15'	6	8' 10"	-
33x18	18'	6	11' 10"	-

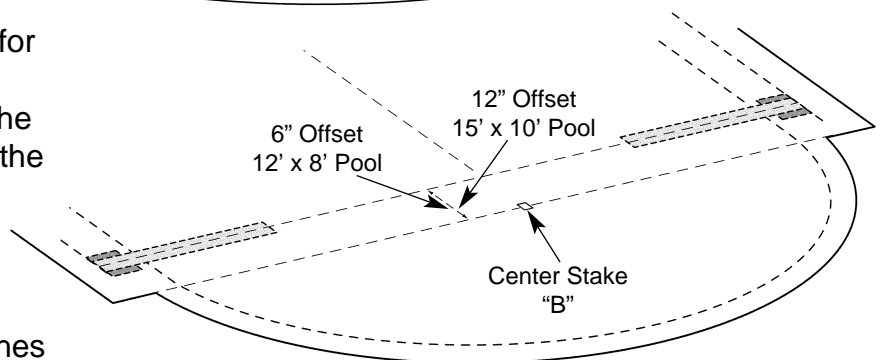


Carefully dig out each trench. Measure from center line and dig 3 inches deep for the Bottom Supports and an additional 1 3/4 inches for the square area where the patio block must be placed (Do not dig the trenches too large or too deep).

Place the Patio Blocks in the deepest square area.

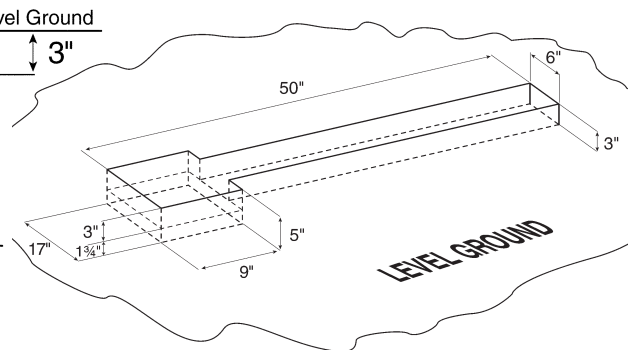
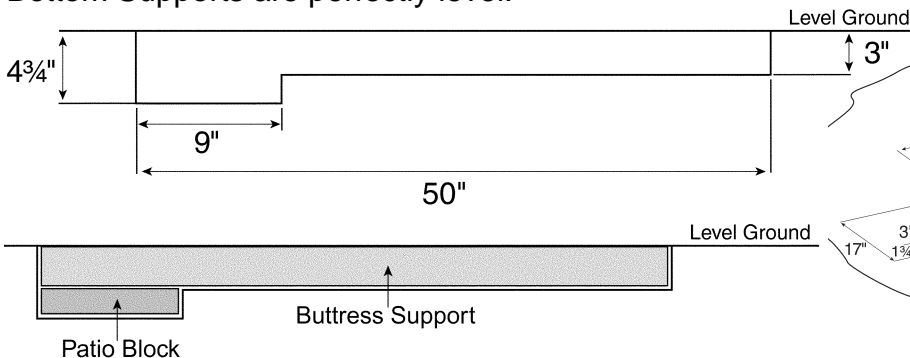
Place the Bottom Supports in the trenches making sure that the end base is aligned to the edge of the patio block.

Use a carpenter's level to make sure the Bottom Supports are perfectly level.



On the 12' x 8' pool the center of the first and last buttress are offset to the inside of the pool by 6" from the stake "C" to "C" line.

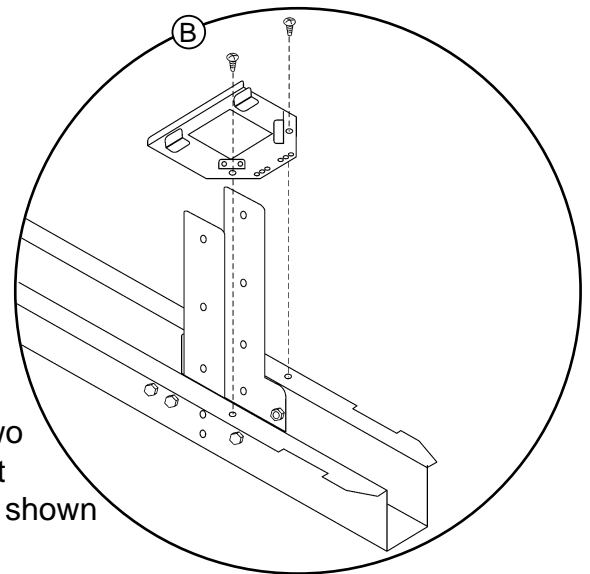
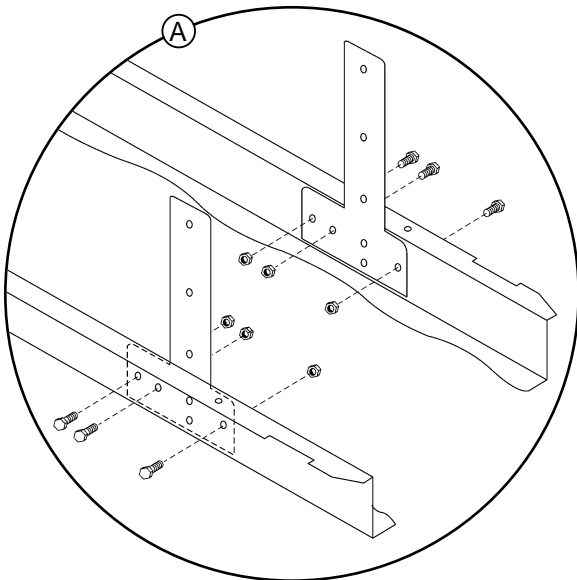
On the 15' x 10' pool the center of the first and last buttress are offset to the inside of the pool by 12" from the stake "C" to "C" line.



T-PLATES & VERTICAL PLATES ASSEMBLY

5

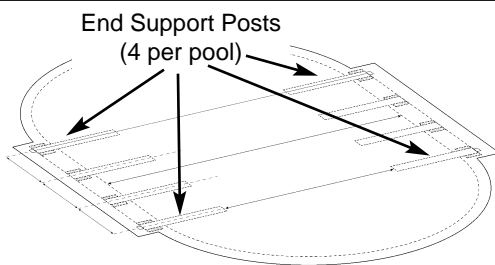
Start assembling the supports by placing two T-Plates inside the Bottom Support and insert and tighten the 3/8" - 16 x 1" hex head bolts and 3/8" - 16 hex nuts as shown on image A.



Attach the Vertical Plate onto the Bottom Support using two #12 x 1/2" sheet metal screws as shown on image B.

END SUPPORT POST ASSEMBLY

6

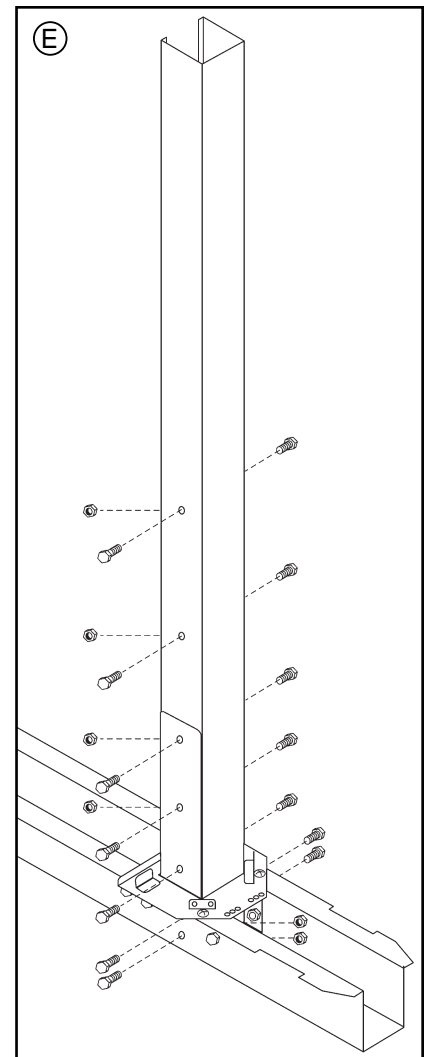
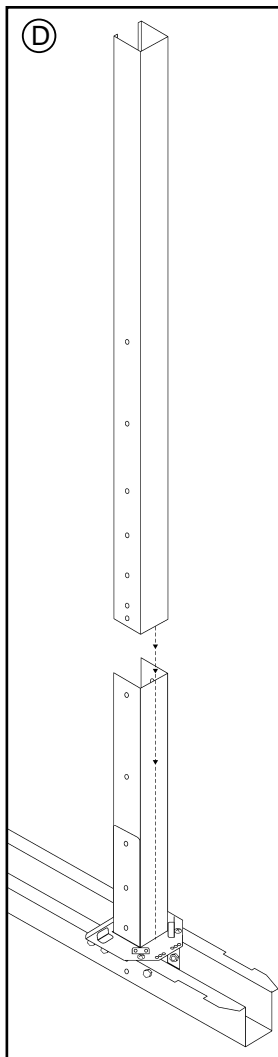
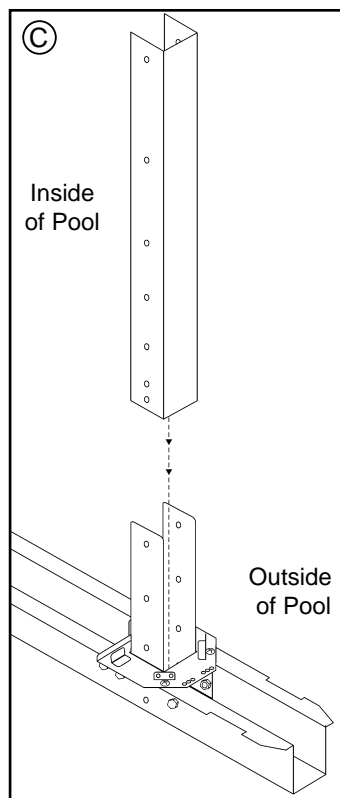


Insert the End Support Post between the T-Plates and through the hole in the Vertical Plate (image C).

Then insert the Support Post over the End Support Post (image D).

The open side of the posts must face the inside of the pool.

Insert the 3/8" - 16 x 1" hex head bolts and 3/8" - 16 nuts and tighten as shown on image E.



CENTER SUPPORT POST ASSEMBLY

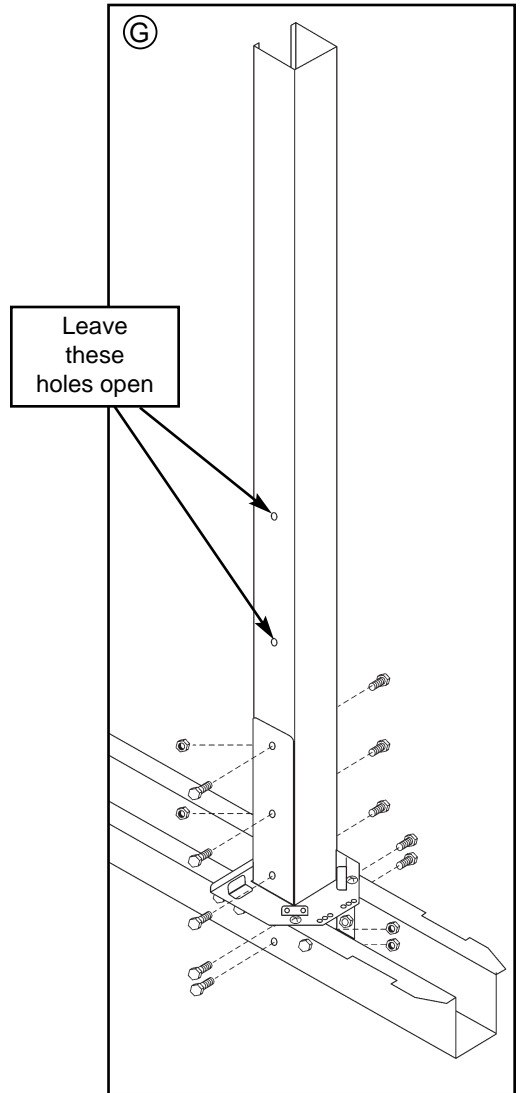
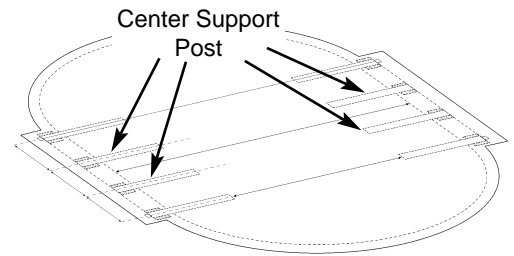
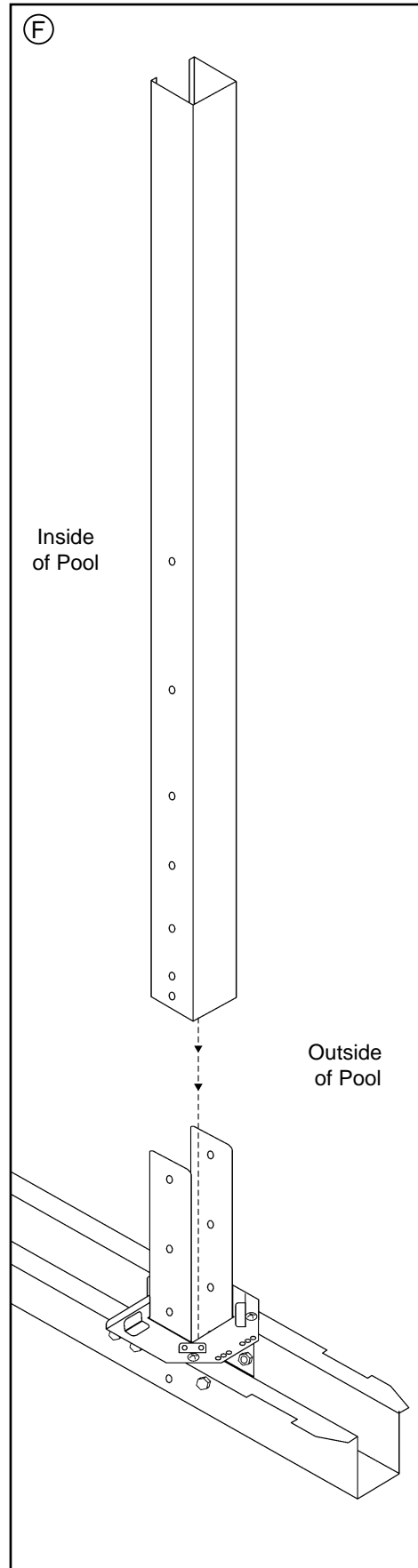
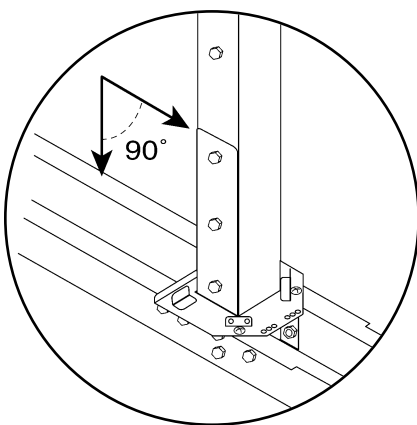
7

Insert the Support Post between the T-Plates and through the hole in the Vertical Plate (image F).

The open side of the post must face the inside of the pool.

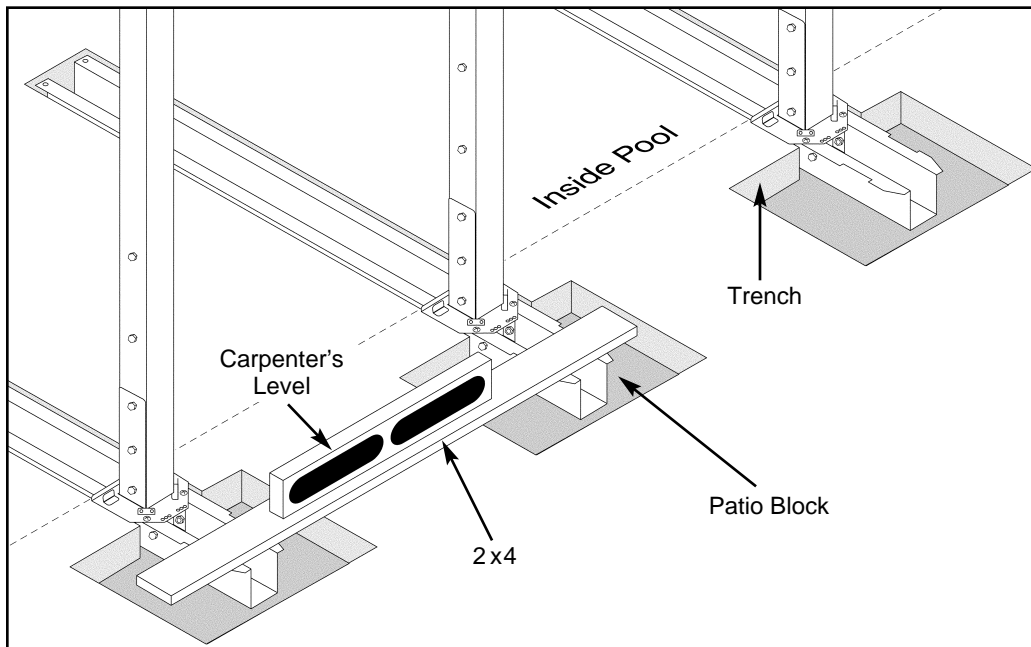
Insert the 3/8" - 16 x 1" hex head bolts and 3/8" - 16 nuts and tighten as shown on image G. Leave the top two holes on each side open.

Make sure the Buttresses are exactly vertical with a 90 degree angle from the Bottom Support.



LEVEL SUPPORT ASSEMBLY

8



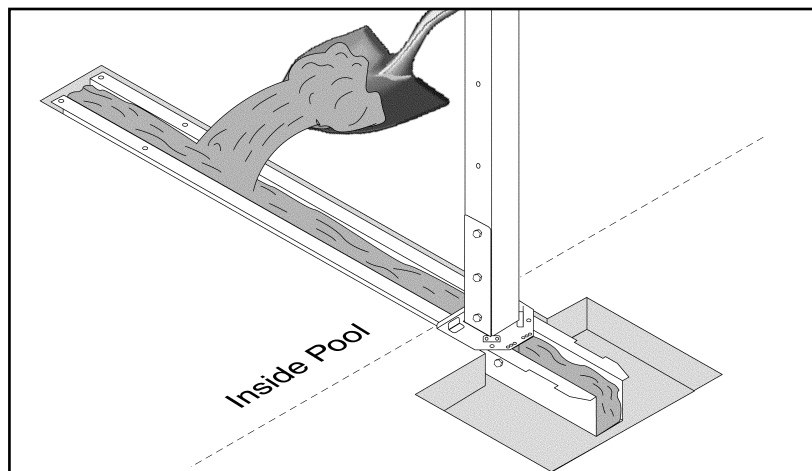
Using a 2x4 and a level, as shown, make sure that each Support Assembly is level with the next Support Assembly.

FILLING TRENCHES & BOTTOM SUPPORTS

9

Fill the inside of the Bottom Supports with screened damp earth or pre-washed sand.

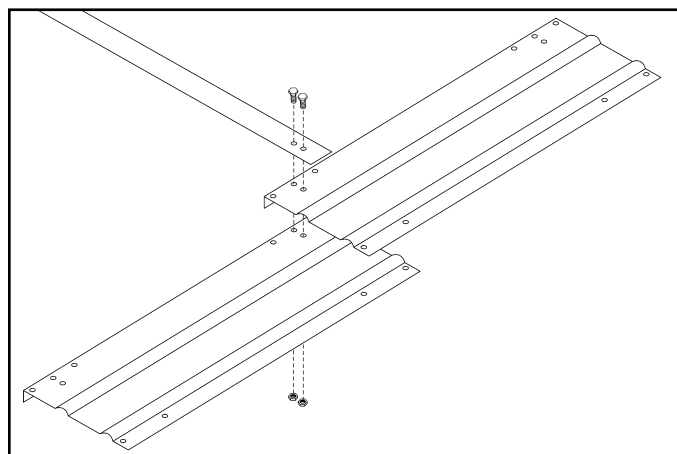
Important: Do not fill the trenches at this point.



ASSEMBLING BOTTOM STRAPS AND HOLD DOWN PLATES

10

Pre-assemble the bottom straps to the Hold Down Plates using all necessary hardware and tighten securely.

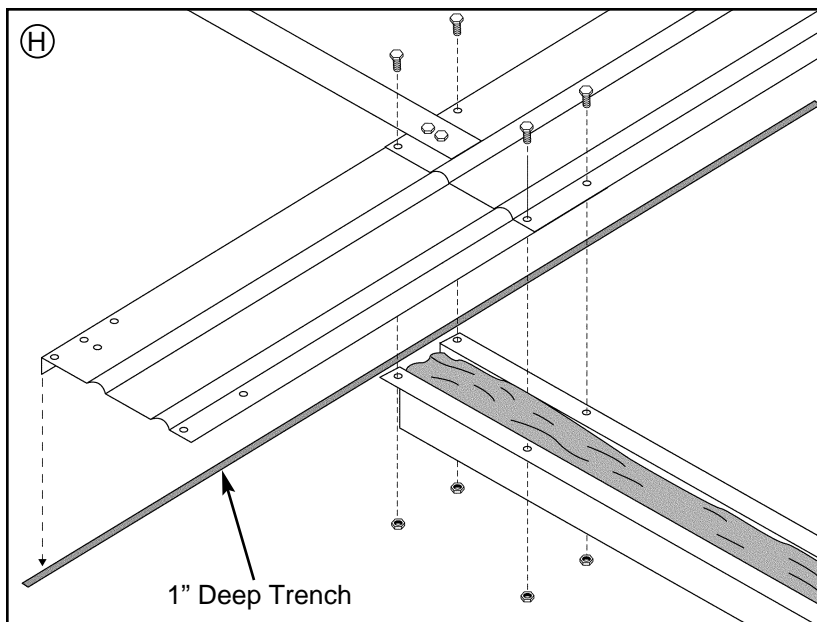


Dig a 1" deep straight line to insert the front lip of the Hold Down Plates.

Assemble the Hold Down Plates on top of the Bottom Supports overlaying them so that the four holes on each end match the four holes from the Bottom Support as shown on image H.

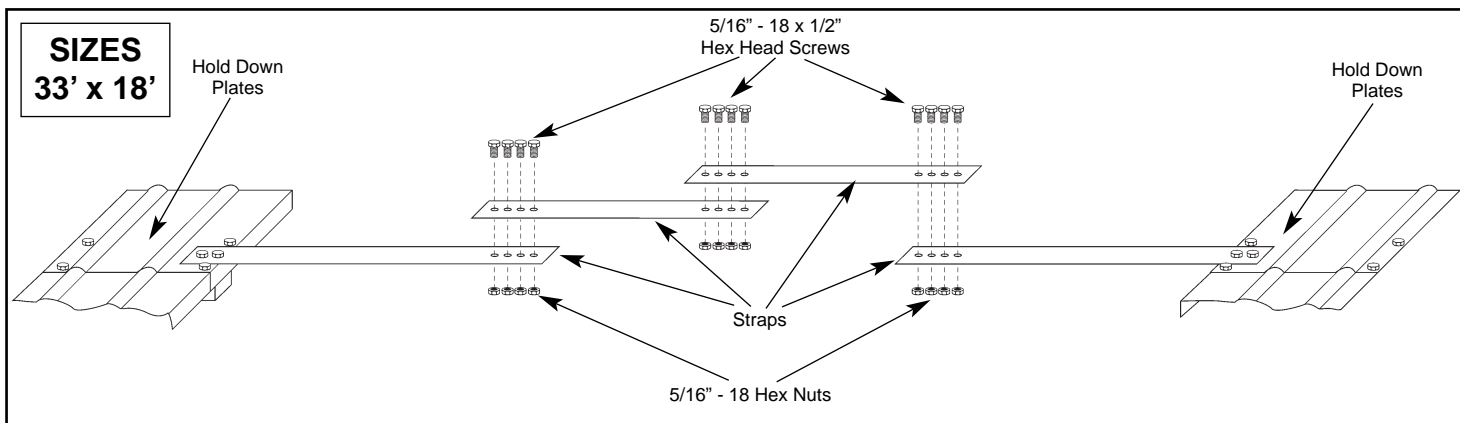
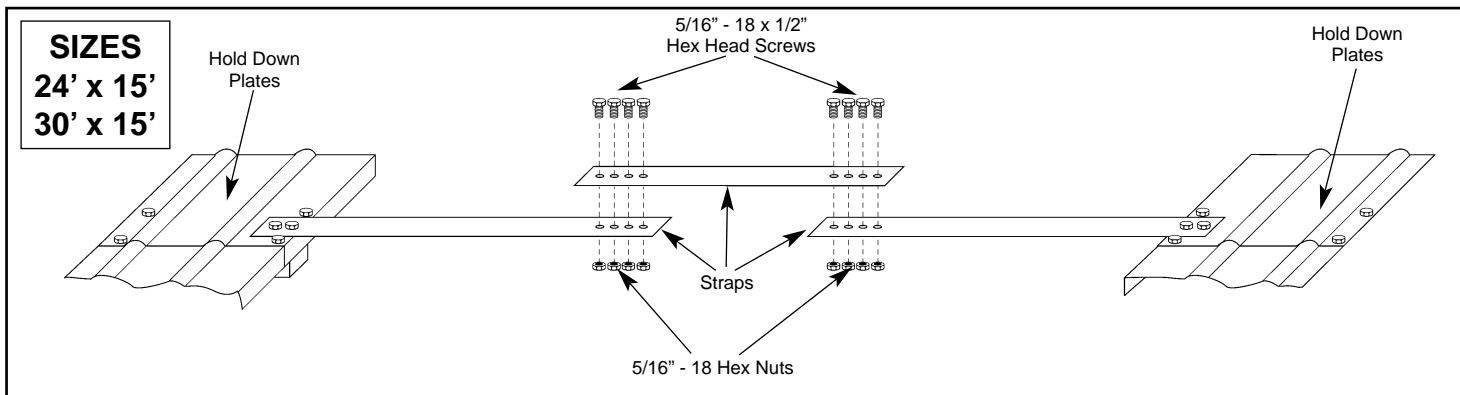
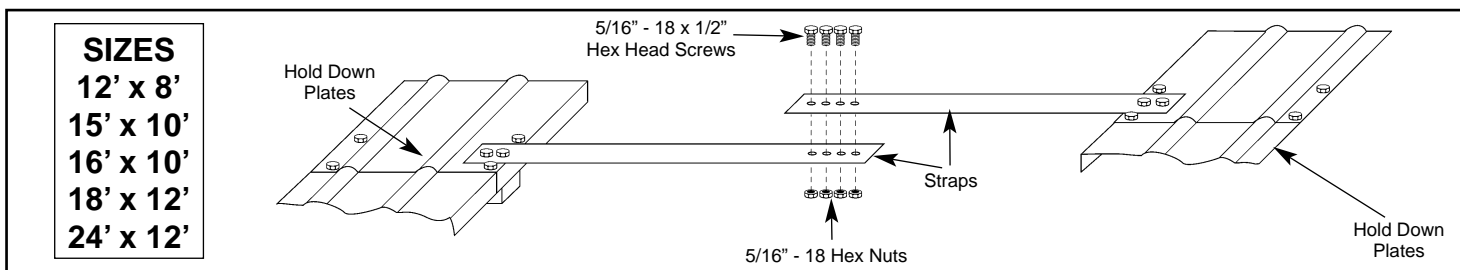
The front lip must face down into the ground. It must not face up.

Insert the four 5/16" - 18 x 1/2" hex head bolts and nuts and tighten.



STRAP ASSEMBLY FOR SLIM STYLE OVAL POOLS

The screws joining the straps must be inserted from the top to prevent the screw putting a hole in the liner once the pool is filled with water.



BOTTOM RAIL AND STRAP LAYOUT

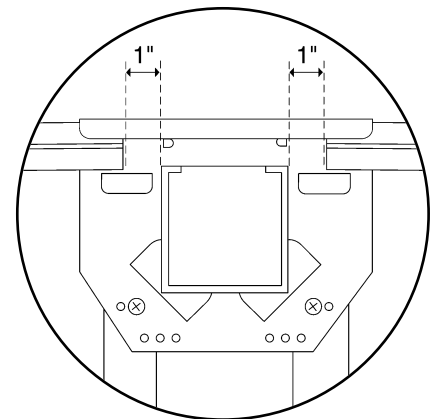
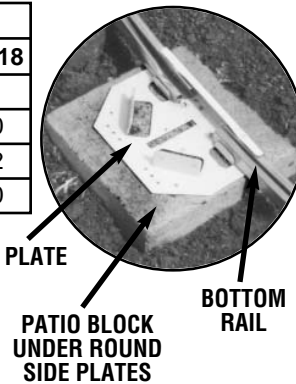
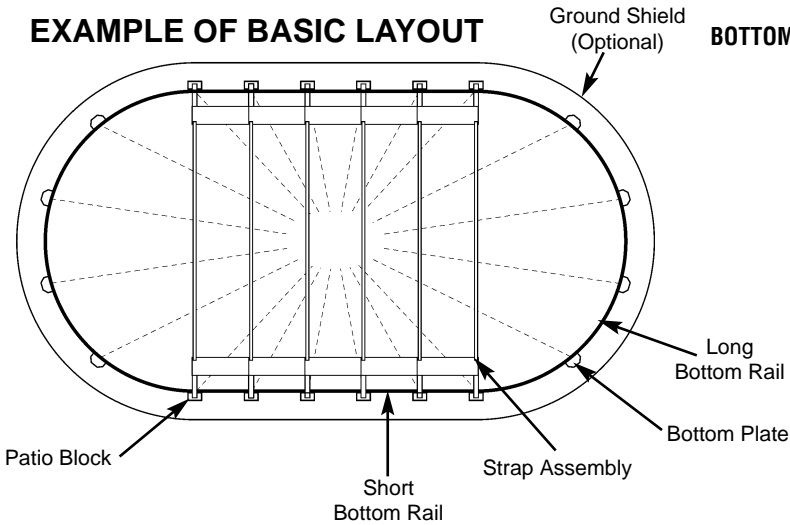
11

Follow the instructions below to properly layout the rail and strap assemblies.

QUANTITIES NEEDED:							
POOL SIZE	12x8	15x10	18x12	24x12	24x15	30x15	33x18
STRAP ASSEMBLIES	2	2	3	5	4	6	6
SHORT RAILS	2	2	4	8	6	10	10
LONG RAILS	8	10	10	10	10	10	12
BOTTOM PLATES	6	8	8	8	8	8	10

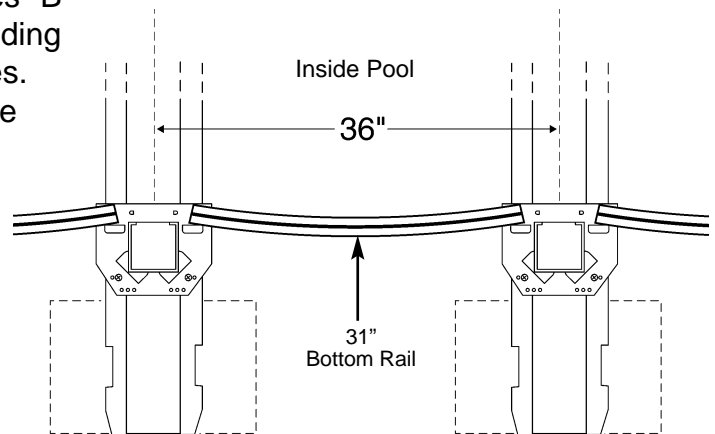
PRE WASHED SAND OR SIFTED EARTH RECOMMENDED REQUIREMENT CHART		
POOL SIZE	TONS	YARDS
12' x 8'	1.4 Tons	0.9 Cu.
15' x 10'	1.8 Tons	1.2 Cu.
18' x 12'	2.4 Tons	1.6 Cu.
24' x 12'	3.3 Tons	2.2 Cu.
24' x 15'	3.8 Tons	2.5 Cu.
30' x 15'	4.8 Tons	3.2 Cu.
33' x 18'	6.0 Tons	4.0 Cu.

EXAMPLE OF BASIC LAYOUT



Mark out pool radius (1/2 pool width) using stakes "B" as a reference. Form the two end semicircles by sliding the long bottom rail groove up, into the bottom plates. Lay out the strap assemblies as shown removing the stakes as you go. The distance from strap to strap is 36". Install the short bottom rail in between each strap as shown.

Bring the required amount of sifted earth or pre-washed sand into the pool area at this time. Refer to chart above for the required **minimum** amount. Place patio blocks under all bottom plates and end of strap assemblies.



INSERT WALL INTO BOTTOM RAILS

12

Remove wall from carton.

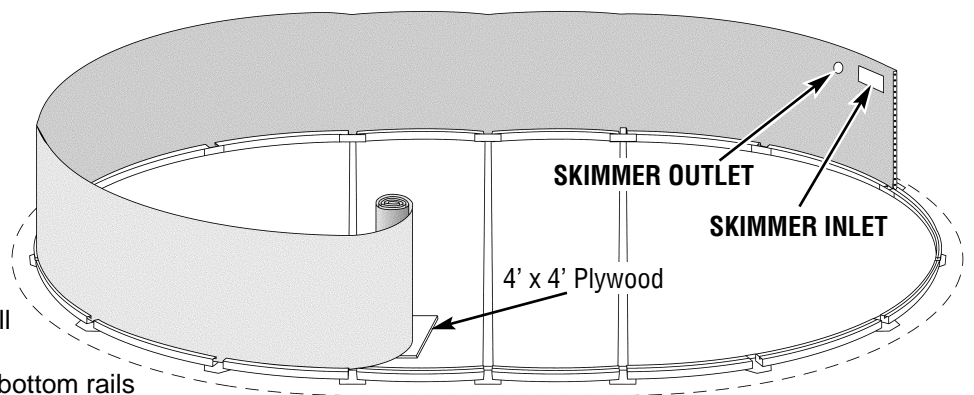
NOTE: the UP arrow on wall.

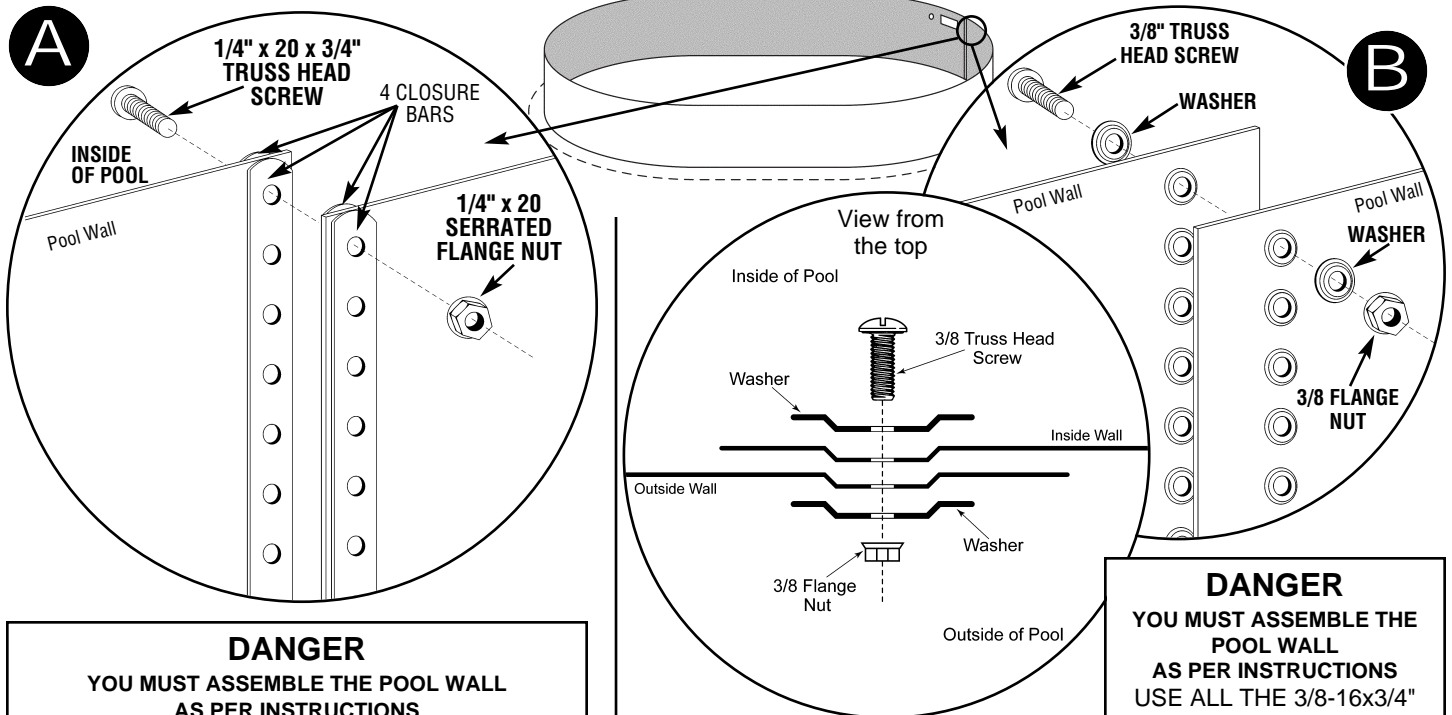
Determine starting point as the filter inlet and outlet holes are at the beginning of the wall.

Starting at the center of a bottom plate insert the bottom edge of wall into the groove on the bottom rail. Make sure that the cutouts for filter inlet and outlet are on the top portion of the wall and will not be hidden behind a vertical.

If the wall ends do not meet, adjust the bottom rails in or out of the bottom plates. The spacing in all bottom plates should be equal.

Make sure that the starting position of the wall and skimmer inlet and outlet holes are on the same end of the pool.





DANGER
YOU MUST ASSEMBLE THE POOL WALL AS PER INSTRUCTIONS
 USE ALL THE 1/4"-20x3/4" TRUSS HEAD SCREWS AND 1/4"-20 SERRATED FLANGE NUTS TO CLOSE POOL WALL.
DO NOT LEAVE ANY OPEN HOLES
 TIGHTEN EACH SCREW TO 85 INCH POUNDS.

DANGER
YOU MUST ASSEMBLE THE POOL WALL AS PER INSTRUCTIONS
 USE ALL THE 3/8-16x3/4" TRUSS HEAD SCREWS, WASHERS AND 3/8-16 SERRATED FLANGE NUTS TO CLOSE POOL WALL.
DO NOT LEAVE ANY OPEN HOLES
 TIGHTEN EACH SCREW TO 85 INCH POUNDS.

Insert the 1/4" - 20x3/4" truss head screws from inside the pool through the preattached inside closure bar, through inside and outside wall ends, and through outside closure bar.

The 1/4" serrated flange nuts are secured to the screws on the outside of the wall. All the holes must match and be secured together with the screws and nuts provided.

Tighten each screw and nut to 85 inch pounds of torque. If no torque wrench is available, tighten each nut until snug. Then tighten each nut one (1/2) half additional turn. If nut appears to be lose after tightening, please check if the screw is stripped or broken. It must be replaced.

During this assembly procedure, make sure that one washer is on the inside of the pool, and one washer in on the outside of the pool sandwiching the two wall ends between them. Also ensure that the recesses of the walls and washers all face the same direction.

Align the holes in the wall ends.

From the inside of the pool, insert a 3/8 Truss Head screw through the washer, through the holes on the inside and outside wall ends, and through the second washer.

Fasten with 3/8 serrated flange nut on the outside of the pool having the flange of the nut face the washer. Only hand tighten the nuts at this point. Continue for each hole in the wall ends.

DO NOT LEAVE ANY OPEN HOLES.

Tighten all screws and nuts to 85 inch pounds. If no torque wrench is available, tighten each nut until snug. Then tighten each nut one half (1/2) additional turn.

If nut appears to be lose after tightening, please check if the screw is stripped or broken. If it is, it must be replaced.

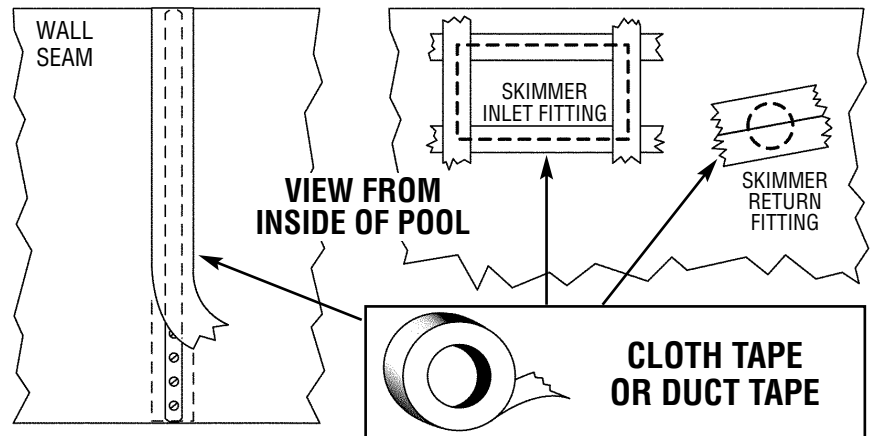
Overtightening the nuts could cause the screws to fracture which could result in pool failure.
 Failure to tighten the nuts sufficiently could also result in pool failure.
 This is one of the most important structural assembly aspects you will perform.
 Be absolutely sure you have assembled the wall as shown above for your pool.
Manufacturer can not assume the responsibility of the performance of this product if the instructions of closing the wall are not followed exactly.

PROTECT YOUR LINER

14

Once the wall is closed and screws and nuts are tightened securely, cover the screw heads on the inside of the pool with a cloth tape all the way from top to bottom of wall. If the filter inlet and outlet are not used, tape over the prescored areas on the inside of the pool wall.

Cloth tape or duct tape is available through your local pool dealer or hardware store.



RECHECKING YOUR WORK

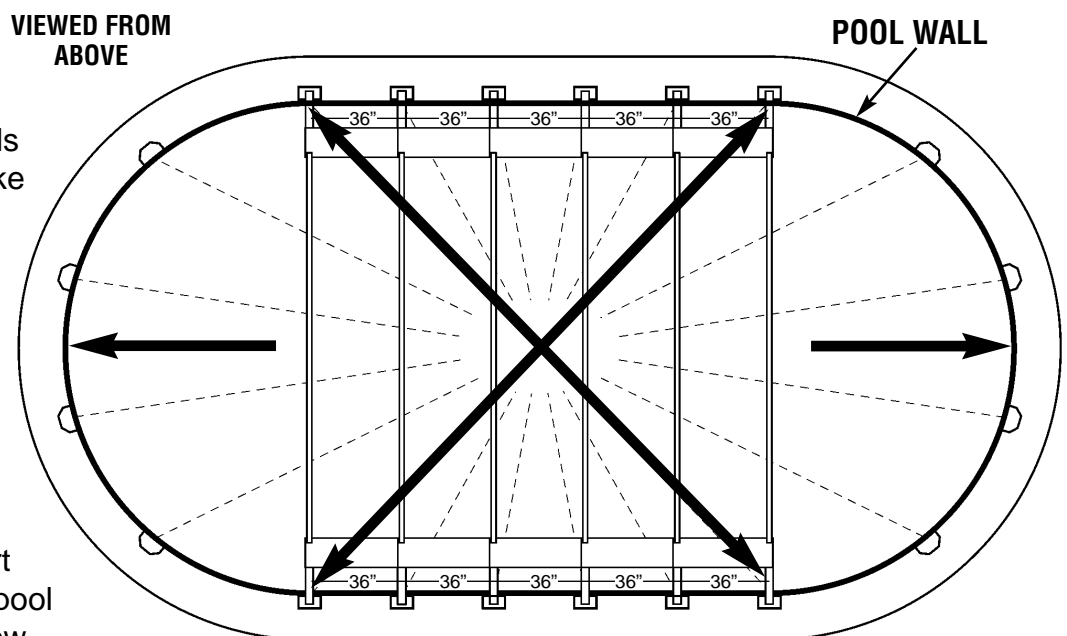
15

Measure from the last strap to the outer end of the pool.

Measurements in both ends should be equal. Also make sure that the sides of the pool between the straps are straight.

Confirm that the strap assemblies are "square" by measuring diagonally across from the first strap to the last strap.

Make sure that the Support Posts on each side of the pool are lined up in a straight row.

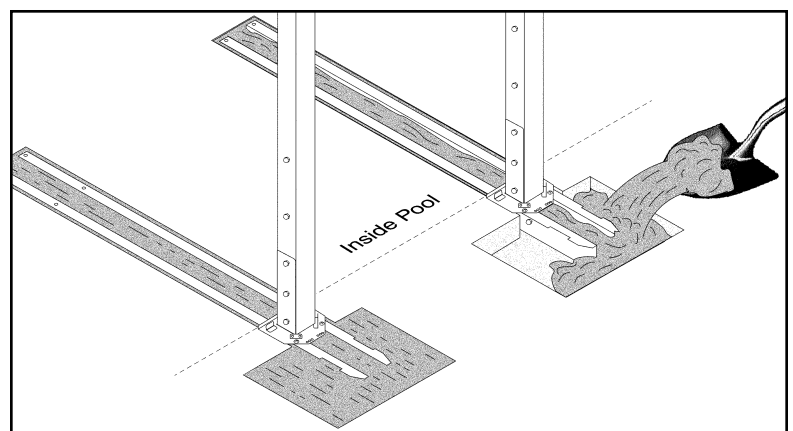


Also, the measurements from the center of one strap to the center of the next one should be 36".

FILLING THE TRENCHES

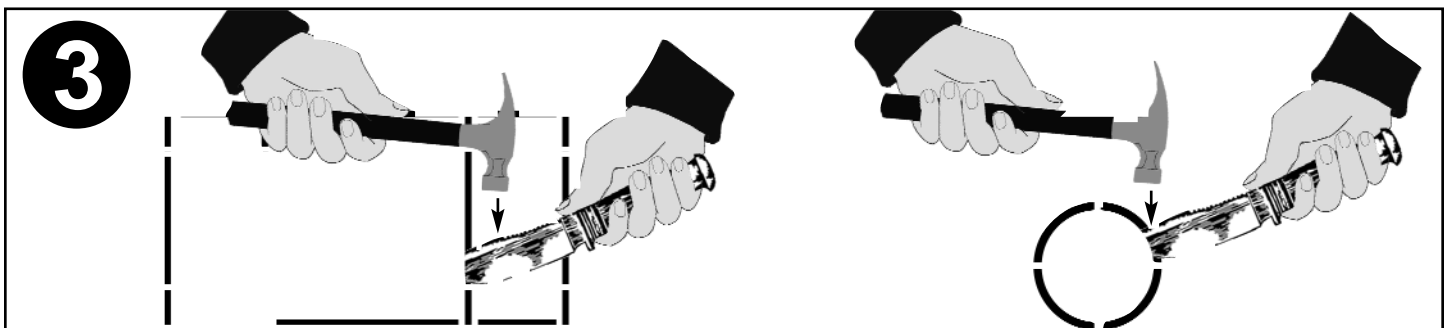
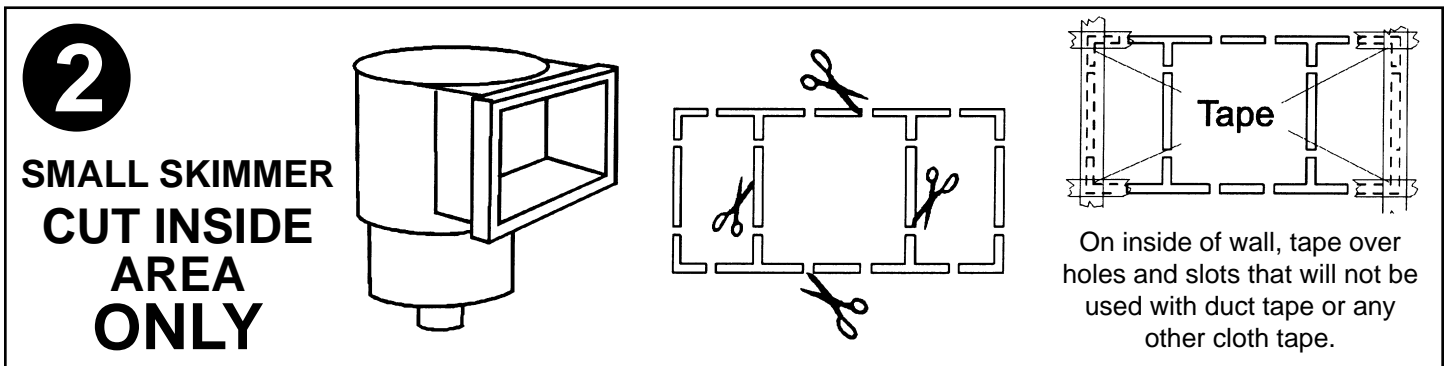
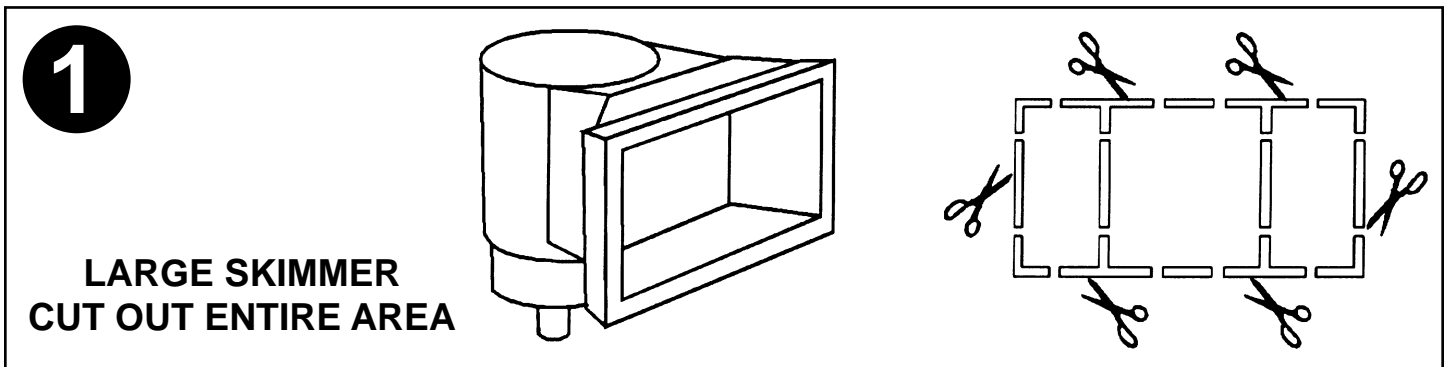
16

Fill the trenches and all open areas in and around the Bottom Supports with screened damp earth or pre-washed sand.



IMPORTANT!! BEFORE CONTINUING WITH THIS STEP YOU MUST KNOW WHICH TYPE OF THROUGH THE WALL SKIMMER YOU WILL BE USING WITH YOUR POOL

Your pool wall has cutouts to accommodate both standard size skimmers and deluxe wide mouth skimmers. If you have a wide mouth skimmer, you will be required to remove the entire cutout as shown in figure 1. To remove the section, you can use either tin snips or a hammer and knife as shown in figure 3. If you have a standard size skimmer, only remove the inside section of the cutout, and place duct tape around the remaining scored sections as shown in figure 2.



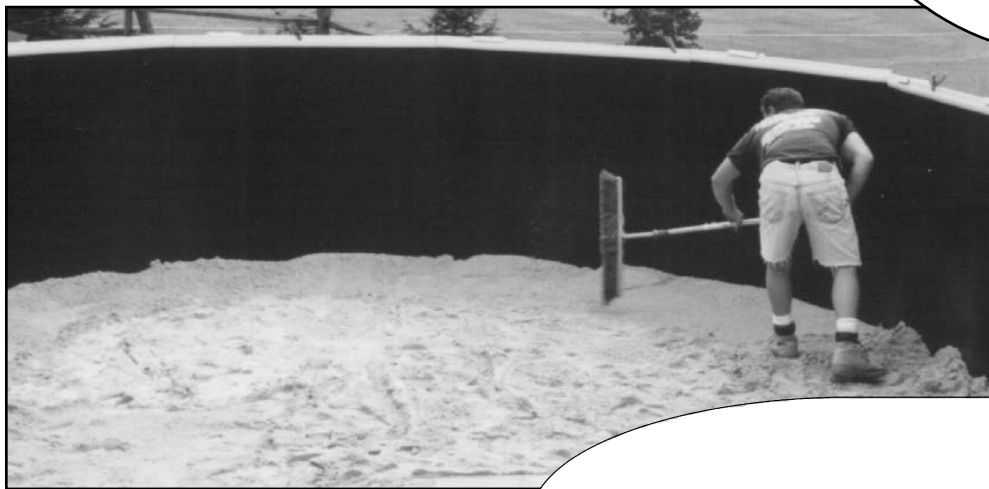
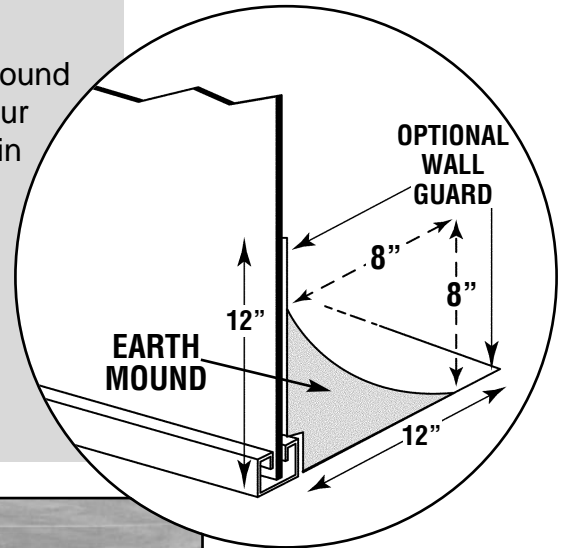
If the through wall filter inlet and outlet holes are to be used, remove metal cutouts by breaking perforations using a knife and hammer as shown. Refer to skimmer manufacturer's instructions for remainder of skimmer assembly. **Make sure skimmer does not leak as this will corrode the pool wall and cause a split in the wall that is not covered under the pool warranty.**

It is recommended to coat the exposed metal on both sides with a clear lacquer or nail polish to help resist rust and corrosion.

Wall guard is optional.

Tape wall guard (plastic sheeting) to pool wall 12" up from ground and smooth out on ground 12" from wall. This will protect your pools metal parts from chemical reactions with the soil used in the earth mound.

Several commercial products can also be used in place of earth mound. Consult your professional pool dealer.



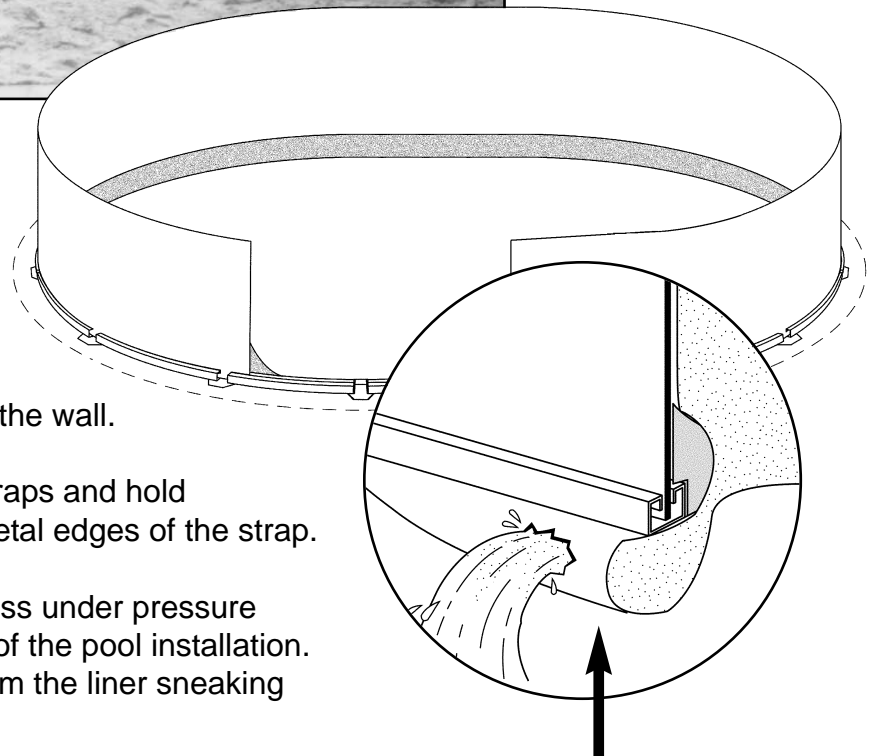
Build earth mound on top of wall guard using screened damp earth or pre-washed sand.

Shape and compact earth mound to run 8" up from ground and 8" away from the wall.

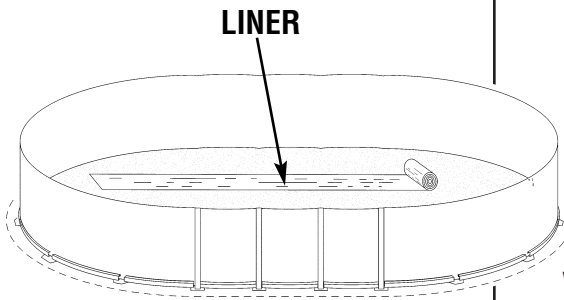
Build a 2" mound on top of the bottom straps and hold down sheets to protect your liner from metal edges of the strap.

Do not use any material that will compress under pressure for the earth mound is an important part of the pool installation. It prevents the wall from lifting up and from the liner sneaking underneath the pool wall.

MANUFACTURER CAN NOT ASSUME THE RESPONSIBILITY OF THE PERFORMANCE OF THIS PRODUCT IF THE EARTH MOUND IS OMITTED OR NOT PROPERLY INSTALLED.



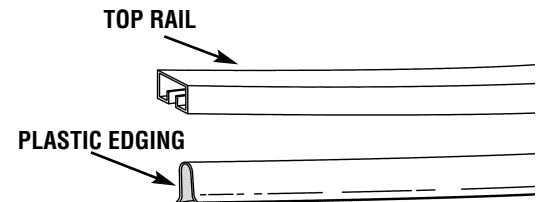
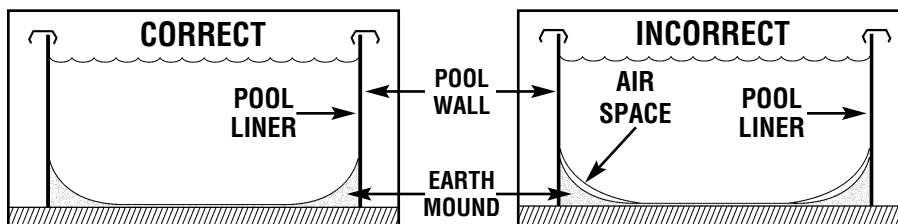
DANGER
DO NOT USE ANY MATERIAL THAT WILL COMPRESS UNDER PRESSURE FOR THE EARTH MOUND.
SEE INSTRUCTIONS TO LEFT.



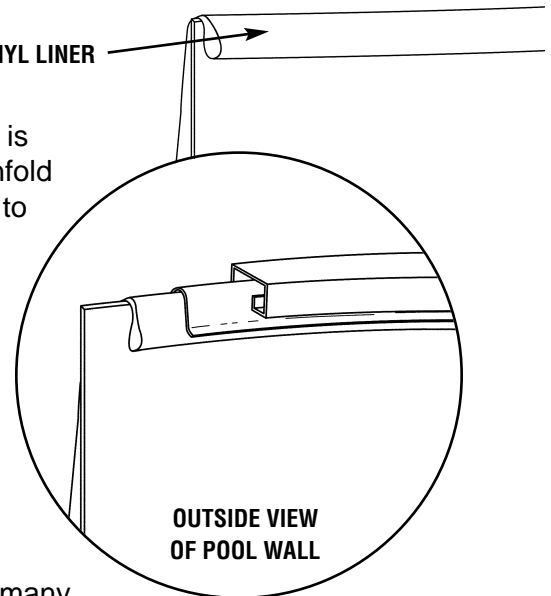
CAUTION

YOUR POOL IS DESIGNED TO PROVIDE AN AMPLE SAFETY MARGIN WHEN IT STANDS ON LEVEL GROUND. FOR THIS PURPOSE A SLOPE IN EXCESS OF 2 INCHES IN ANY DIRECTION WALL TO WALL IS CONSIDERED OFF LEVEL YOUR POOL WARRANTY ONLY APPLIES TO POOLS INSTALLED ON LEVEL GROUND AS DEFINED ABOVE.

ONCE YOU HAVE STARTED TO FILL THE POOL, DO NOT TRY TO PULL THE LINER FORCEFULLY. THE WEIGHT OF EVEN ONE INCH OF WATER WILL MAKE IT IMPOSSIBLE TO MOVE THE LINER WITHOUT DAMAGING IT.



VINYL LINER



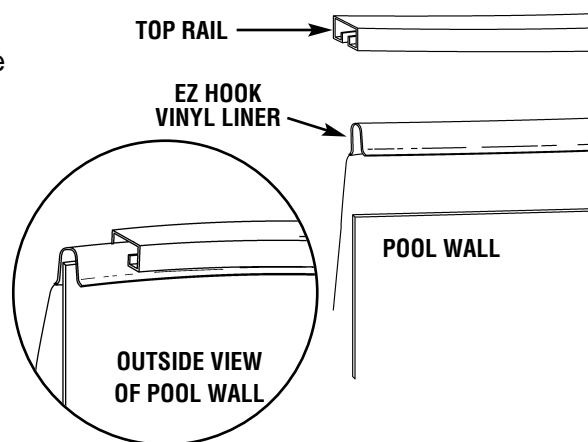
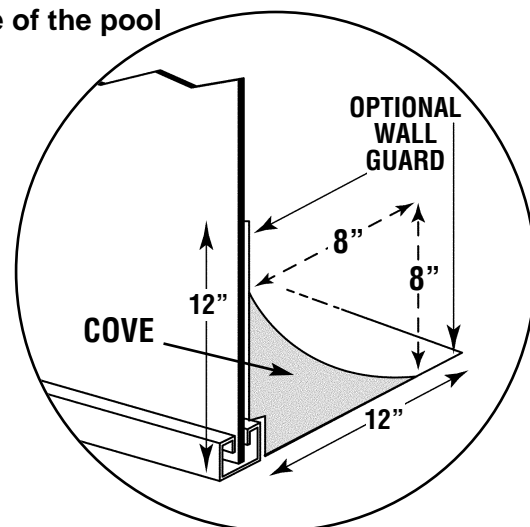
STANDARD OVERHANG LINER

1. Clear all sticks and sharp objects from an area near the pool, that is as large as the pool itself. Remove the liner from its carton and unfold and open the liner. Refold the liner so that it can easily be carried to the pool and unfold from the outside of the pool. Check the levelness of the sand in the pool and make sure that no sharp objects are still in the pool.
2. Place the liner into the pool while holding onto the top of the wall section of the liner. Overhang the top wall of the liner over the pool wall approximately 4" and hold it by temporarily placing the plastic edging over the liner and the wall. Continue in this manner around the entire pool.
3. Gently pull on the liner and use a soft bristle broom to remove as many wrinkles as possible on the bottom of the pool. Adjust the overhang of the liner as needed as you go trying to keep it as equal as possible around the pool.
4. Be sure that the seam of the liner where the wall meets the floor of the liner is evenly centered in the pool. Start filling the pool slowly with water. Continue pulling gently and working the liner with a broom, and readjusting the overhang as necessary.
5. Some wrinkling of the liner may be evident and in no way affects the structural strength of your pool. **Once the water is filled to a point that the liner is pressed firmly against the wall install the thru-the-wall skimmer following its instructions. Then you can fill the entire pool as quickly as desired.** The excess liner material overhanging the wall can either be trimmed later when the pool is filled, or double folded now to the inside of the pool between the liner and the wall. Permanently install the plastic edging around the entire pool, not leaving any gaps.

EZ HOOK LINER INSTALLATION

ATTENTION: An 8 inch cove must be placed all around the inside of the pool

1. Clear all sticks and sharp objects from an area near the pool, that is as large as the pool itself. Remove the liner from its carton and unfold and open the liner. Refold the liner so that it can easily be carried to the pool and unfold from the outside of the pool. Check the levelness of the sand in the pool and make sure that no sharp objects are still in the pool.
2. Place the liner into the pool while holding onto the top of the wall section of the liner.
3. Place the EZ Hook of the liner onto the top of the wall around the entire pool. Temporarily place a few of the top rails over the liner edging to support and sturdy the wall. Continue in this manner around the entire pool.
4. Gently pull on the liner and use a soft bristle broom to remove as many wrinkles as possible on the bottom of the pool.
5. Start filling the pool slowly with water. Continue pulling gently and working the liner with a broom as needed.
6. Some wrinkling of the liner may be evident and in no way affects the structural strength of your pool. Once the water is filled to a point that the liner is pressed firmly against the wall install the thru-the-wall skimmer following its instructions. Then you can fill the entire pool as quickly as desired.



BEADED LINER INSTALLATION

1. Clear all sticks and sharp objects from an area near the pool, that is as large as the pool itself. Remove the liner from its carton and unfold and open the liner. Refold the liner so that it can easily be carried to the pool and unfold from the outside of the pool. Check the levelness of the sand in the pool and make sure that no sharp objects are still in the pool.
2. Install the bead receiver onto the top of the pool wall. Temporarily place a few of the top rails over the bead receiver to support and sturdy the wall.
3. Place the liner into the pool while holding onto the top of the wall section of the liner.
4. Snap the bead of the liner into the bead receiver around the entire pool.
5. Gently pull on the liner and use a soft bristle broom to remove as many wrinkles as possible on the bottom of the pool.
6. Start filling the pool slowly with water. Continue pulling gently and working the liner with a broom as needed.
7. Some wrinkling of the liner may be evident and in no way affects the structural strength of your pool. Once the water is filled to a point that the liner is pressed firmly against the wall install the thru-the-wall skimmer following its instructions. Then you can fill the entire pool as quickly as desired.



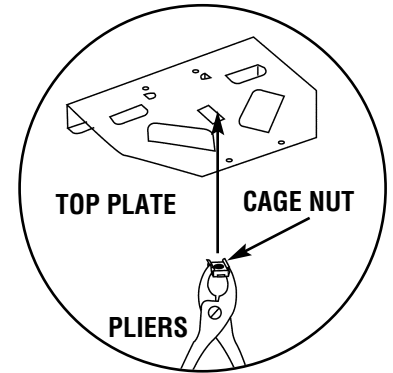
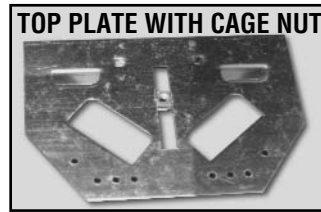
PRE-ASSEMBLY OF TOP PLATES*

20

*** NOTE: CAGE NUTS NOT NEEDED ON ALL POOLS - CHECK YOUR PACKING LIST**

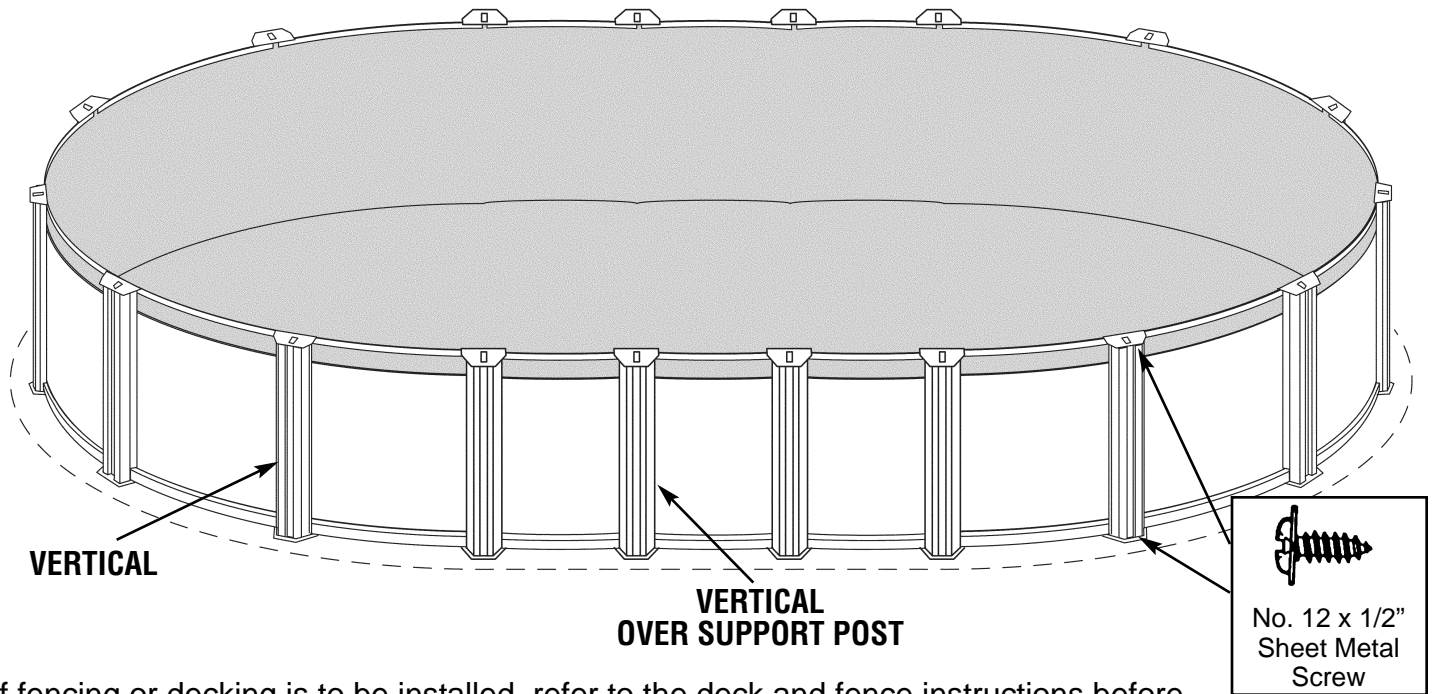
Before the top plates are installed it is necessary to attach the **cage nuts*** in their appropriate locations as shown in the figures at right.

Using a pliers, squeeze together the spring sides of the cage nuts and insert them into the top plate from underneath.



VERTICALS, TOP PLATES AND RAILS

21

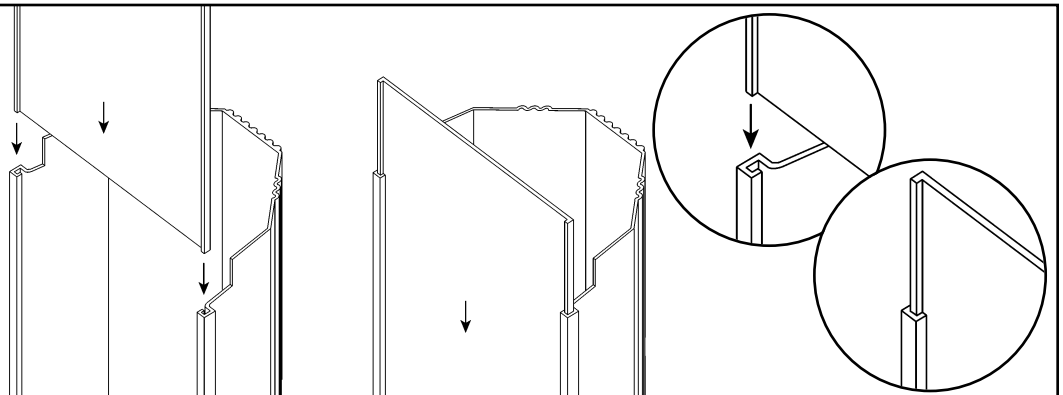


If fencing or decking is to be installed, refer to the deck and fence instructions before installing the verticals. The holes indented in the face of the verticals must be on top.

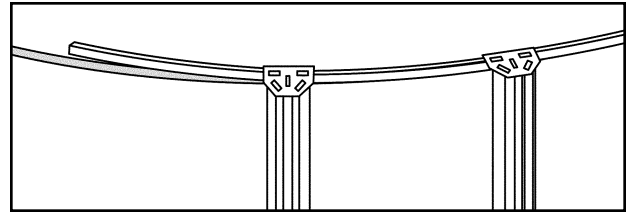
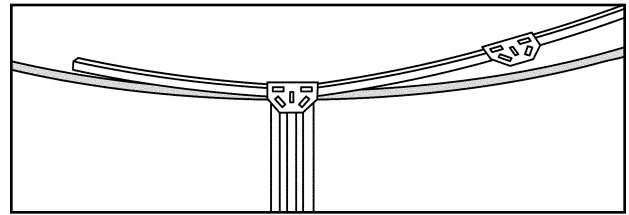
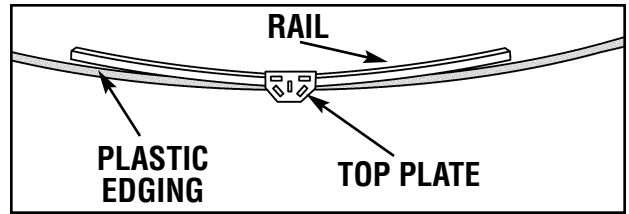
If your pool is equipped with feature tape, it is best to apply it to the verticals at this time.

Attention:

If your pool has the 2 piece resin vertical, insert the flat piece into the verticals for the round side of the pool. The verticals over the Support Posts on the straight side of the pool do not need this sheet.



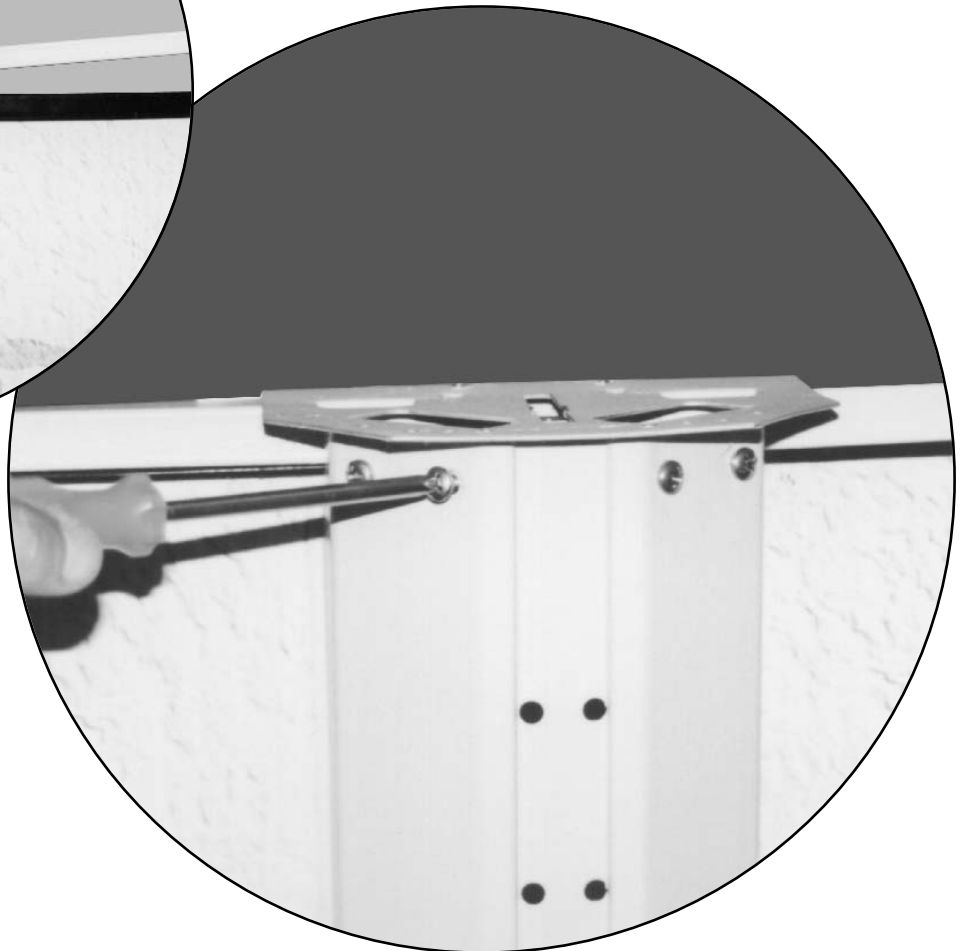
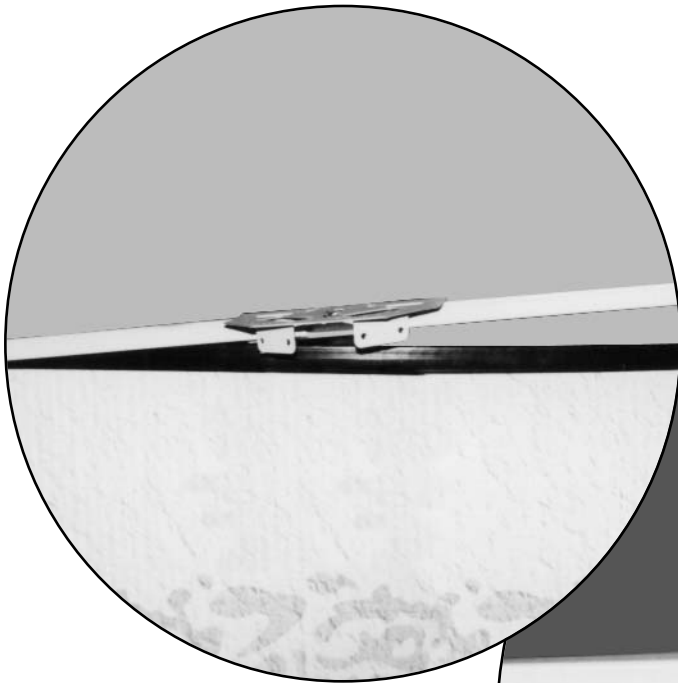
Insert two rails into a plate, in the same manner and using the same spacing as you have done on the bottom rail and plate assembly. Push the rails and plate assembly onto the plastic edging leaving the far end in the air.



MAKE SURE THAT THE TOP PLATE IS CENTERED DIRECTLY ON TOP OF THE BOTTOM PLATE.

Attach the vertical to the top and bottom plate using the No.12x1/2" Sheet Metal Screws.

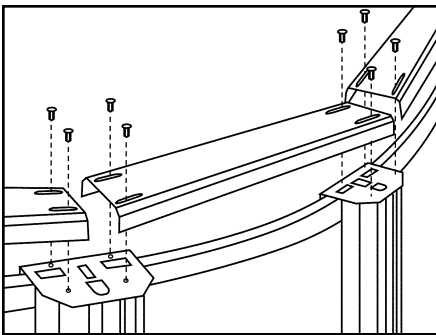
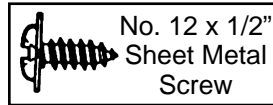
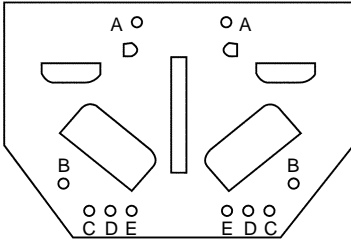
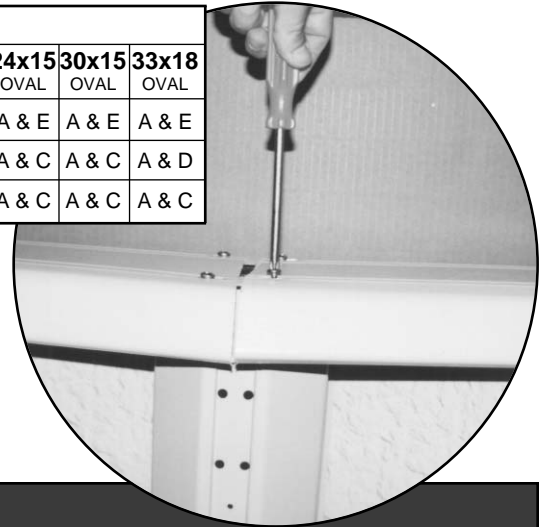
Insert the exposed end of a top rail into another top plate with a top rail inserted into the opposite side. Push the top plate with rails onto the edging again leaving the far end of the rail in the air. Continue in this manner all the way around the pool.



INSTALLING LEDGES AND PLACEMENT OF WARNING LABELS

SCREW HOLE LOCATION GUIDE

Refer to the "Construction Close-ups" at the beginning of these Instructions as indicated below:		12x8 OVAL	15x10 OVAL	16x10 OVAL	18x12 OVAL	24x12 OVAL	24x15 OVAL	30x15 OVAL	33x18 OVAL
FIG. A & E	(6" Ledge/ 6" Vertical)	A & E	A & E	A & E	A & E	A & E	A & E	A & E	A & E
FIG. C, D & F	(6" Ext. & 7" Ledge/ 6" Box Vertical)	A & C	A & C	A & C	A & C	A & C	A & C	A & C	A & D
FIG. B	(9" Ledge/ 8" Box Vertical)	A & B	A & B	A & B	A & C	A & C	A & C	A & C	A & C

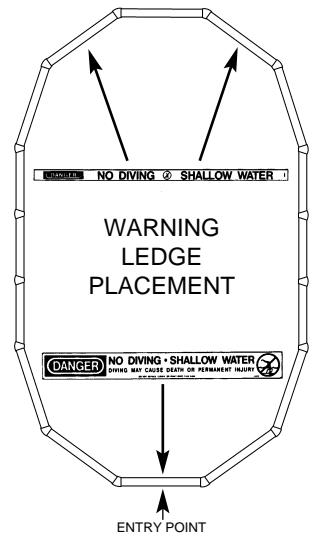


Your pool is equipped with (3) three special **warning** ledges. The (1) one ledge with a large **warning** on top is to be installed by the entry point into the pool and is not to be obstructed by any object such as your ladder. The (2) two ledges with the **warning** on the inside are to be placed opposite the entry point into the pool with the warning facing the entry point.

THESE WARNINGS ARE NOT TO BE REMOVED UNDER ANY CIRCUMSTANCES

Place ledges over the wall with each end resting on a top plate. Using the above chart as a guide align the set of holes in the top plate as shown in the above drawing for your size pool with the holes in the ledge and insert the No.12x1/2" Sheet Metal Screw through the ledge and into the top plate. The actual screw holes that are used does not affect the integrity of the pool. You may use the set of holes that line up best!

The ledge screws should not be tightened until all the ledges are in place and the pool has been filled with water.



NOTE: Your pools top ledge was not designed to be a walk around. Caution everyone who uses your pool **NOT TO WALK OR SIT ON THE LEDGE!** If your pool is equipped with feature tape it is best to apply it to the ledges at this time.

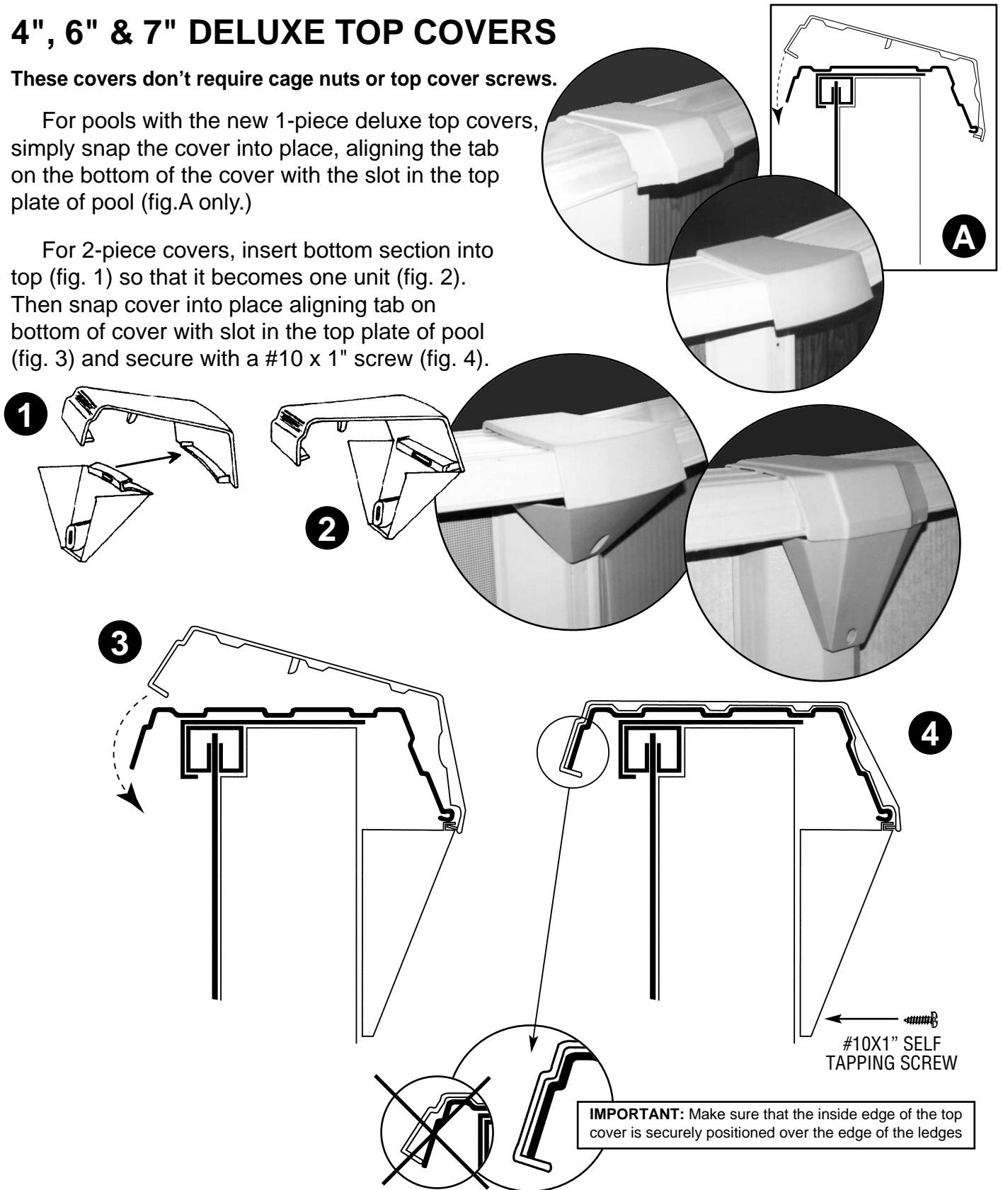
**FOLLOW THE INSTRUCTIONS BELOW
FOR THE COVERS FOR YOUR PARTICULAR POOL**

4", 6" & 7" DELUXE TOP COVERS

These covers don't require cage nuts or top cover screws.

For pools with the new 1-piece deluxe top covers, simply snap the cover into place, aligning the tab on the bottom of the cover with the slot in the top plate of pool (fig.A only.)

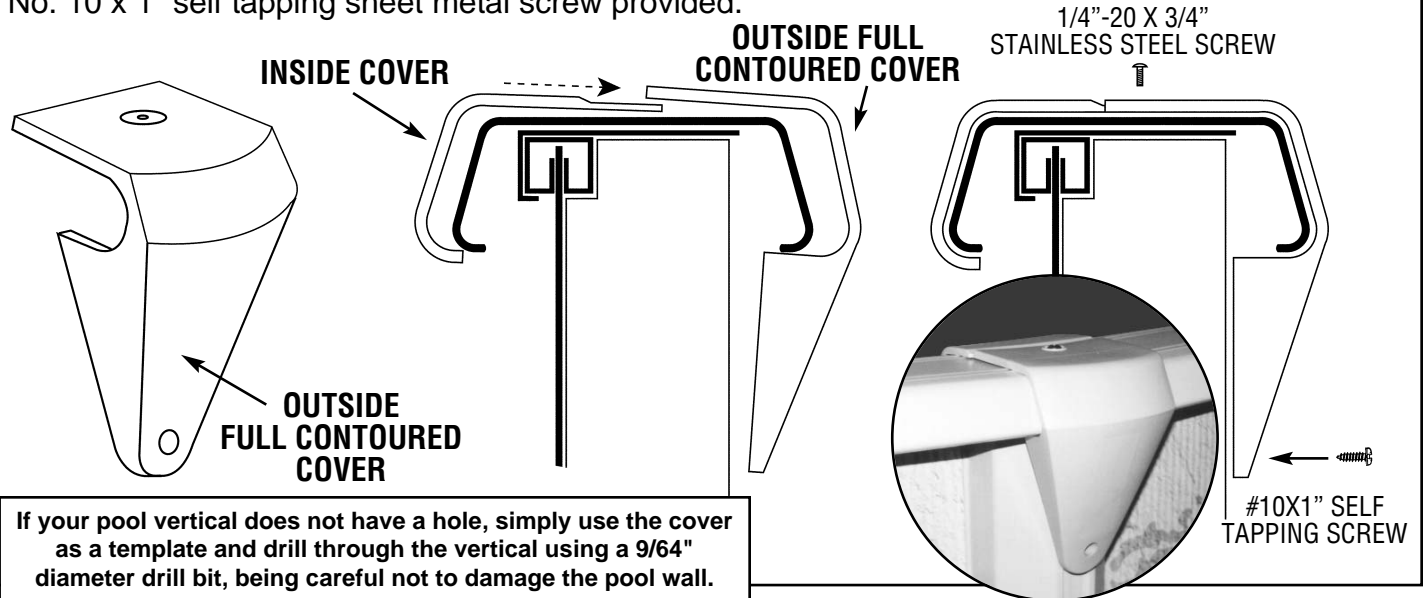
For 2-piece covers, insert bottom section into top (fig. 1) so that it becomes one unit (fig. 2). Then snap cover into place aligning tab on bottom of cover with slot in the top plate of pool (fig. 3) and secure with a #10 x 1" screw (fig. 4).



6" & 7" TWO-PIECE FULL CONTOURED COVER

Slide inside cover (the cover which will be closest to the inside of the pool) into position and place outside cover onto top of inside cover aligning the holes together with cage nut attached to the top plate and secure using the 1/4"-20 x 3/4" screw provided. The two (2) edges of the covers should be parallel. Before tightening the screws, press the two covers firmly together.

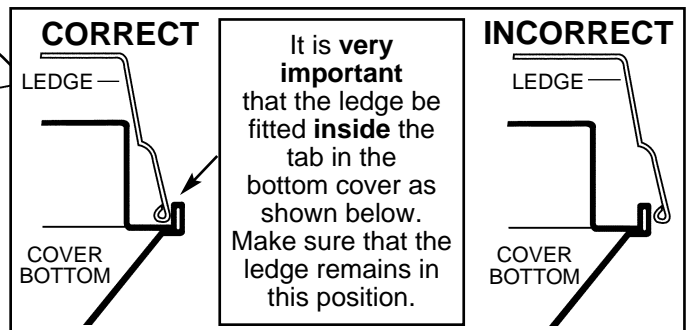
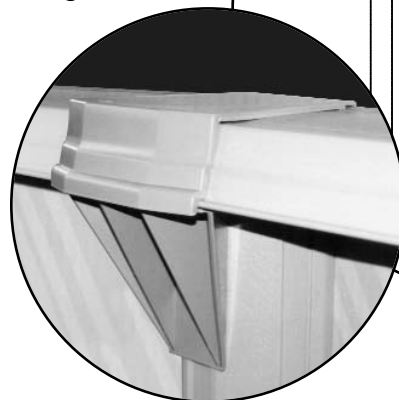
Line up the hole in bottom of cover with the hole in the vertical and fasten securely using the No. 10 x 1" self tapping sheet metal screw provided.



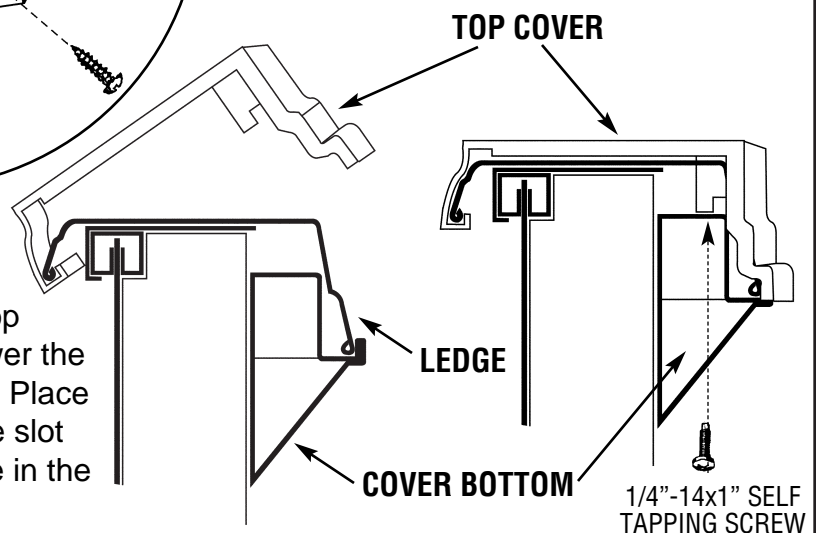
COVERS FOR 9" LEDGE POOLS

NOTE: CAGE NUTS AND TOP COVER SCREWS NOT NEEDED FOR THIS STYLE.

Using a #10 x 1" sheet metal screw, attach the bottom cover to the vertical using the hole shown at right.

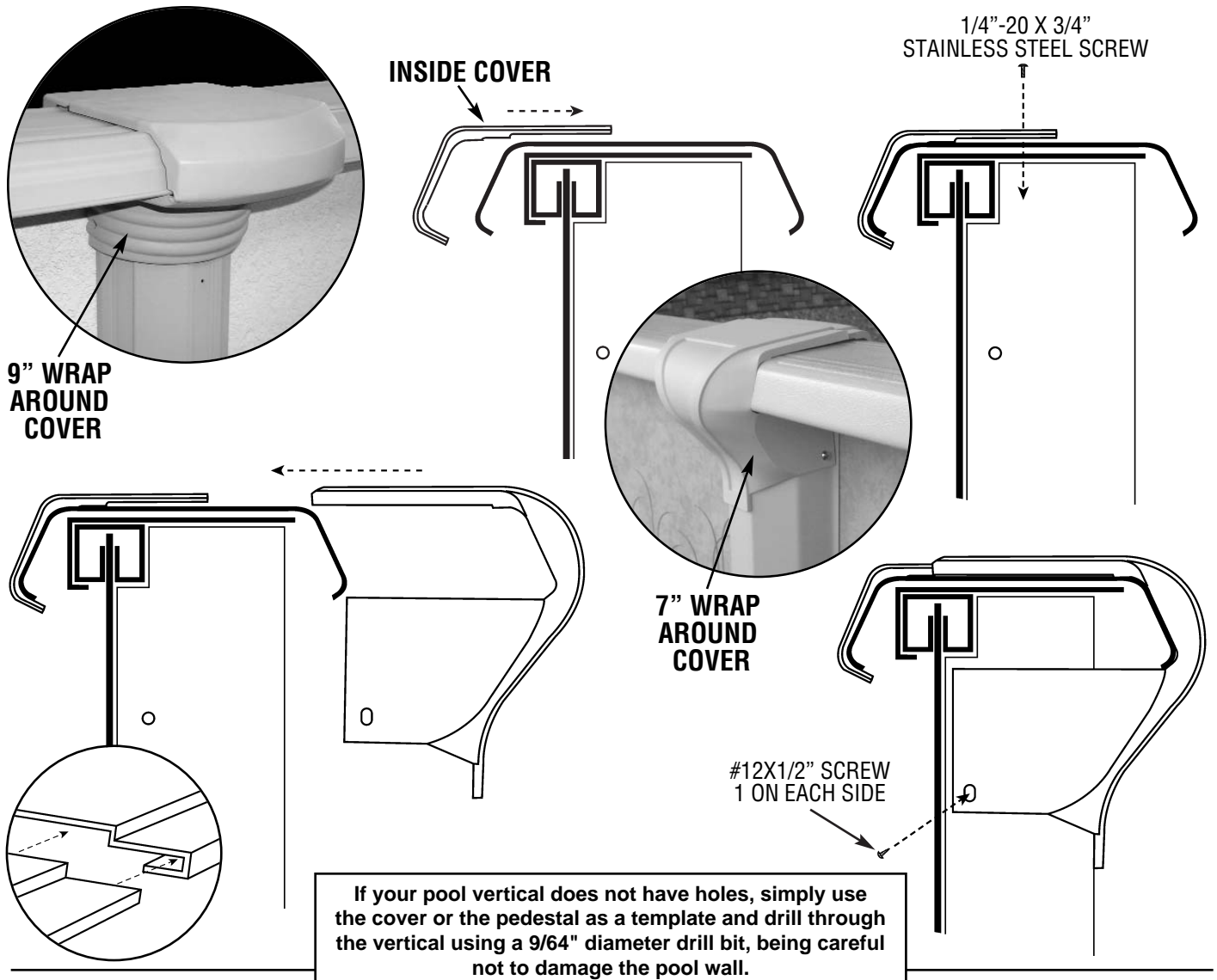


Hook the underside inside part of the top cover under the ledge as shown. Then lower the top cover until it rests evenly on the ledge. Place a 1/4"-14 x 1" self-tapping screw through the slot in the bottom cover and screw into the hole in the top cover. Be careful not to overtighten!



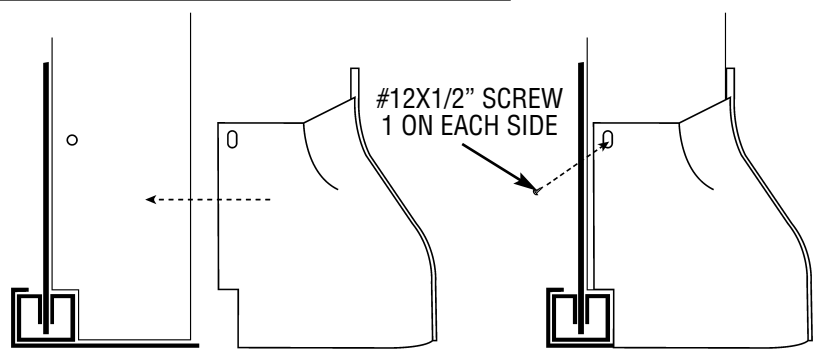
7" AND 9" TWO-PIECE WRAP AROUND COVER AND PEDESTAL

Slide the inside cover (the cover which will be closest to the inside of the pool) into position and align the hole in the cover with the cage nut attached to the top plate. Secure using the 1/4"-20 x 3/4" screw provided. Slide the outside cover onto the inside cover. Make sure the inside cover is in the slot of the outside cover. Align the holes on the side of the bottom wrap with the holes on the top of the vertical. Secure the cover using the #12 x 1/2" screws provided. The two (2) edges of the covers should be parallel. Before tightening the screws, press the two covers firmly together.

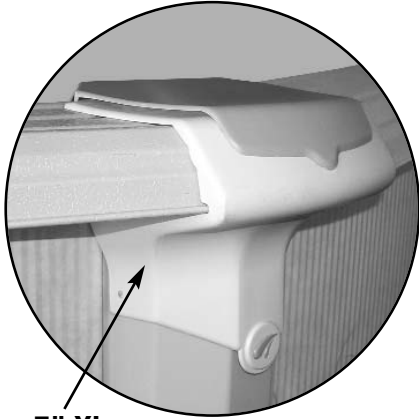


WRAP AROUND PEDESTAL

Place the pedestal onto the bottom of the vertical and align the holes on the side of the wrap with the holes on the bottom of the vertical. Secure the pedestal using the #12 x 1/2" screws provided.

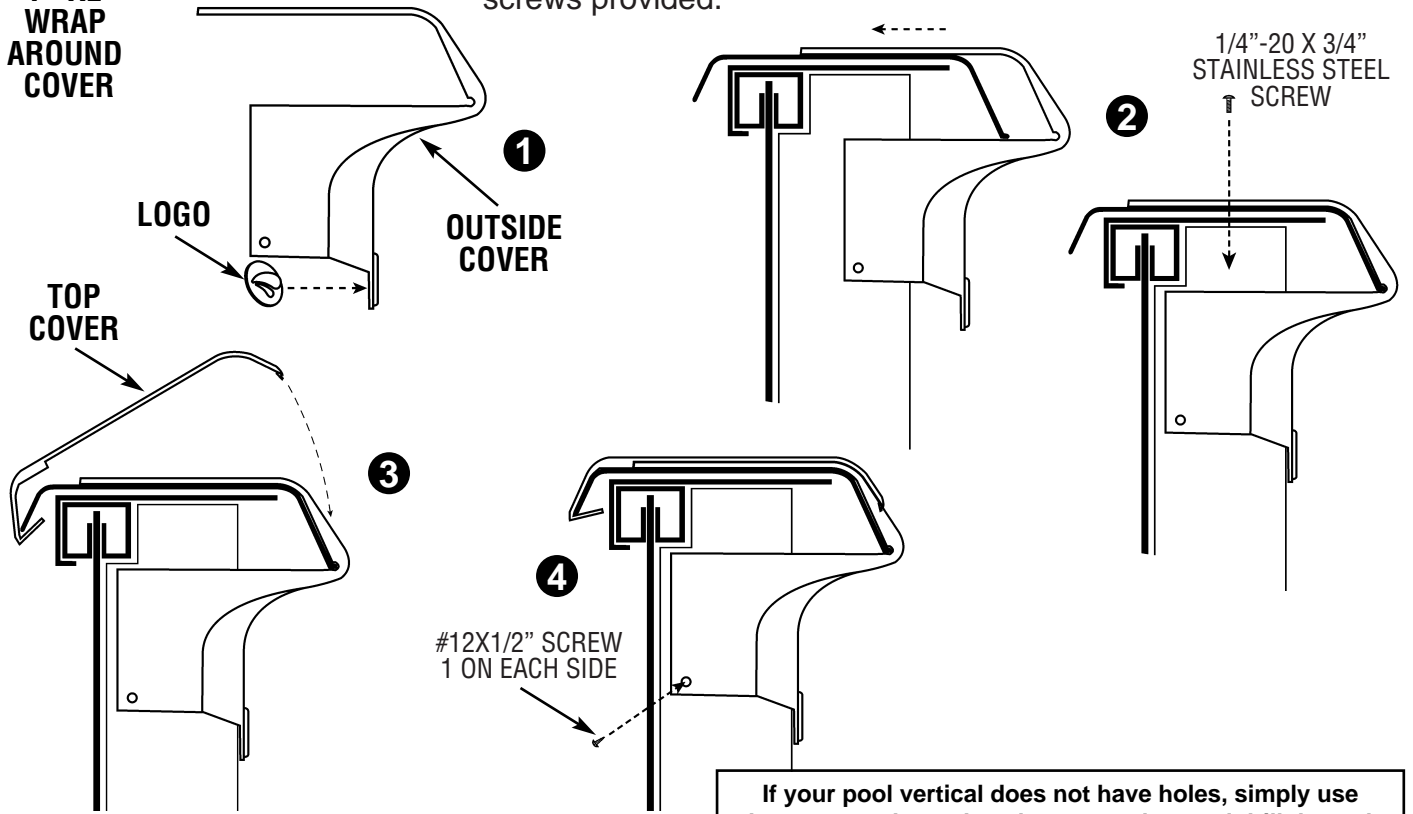


7" XL TWO-PIECE WRAP AROUND COVER AND PEDESTAL



7" XL WRAP AROUND COVER

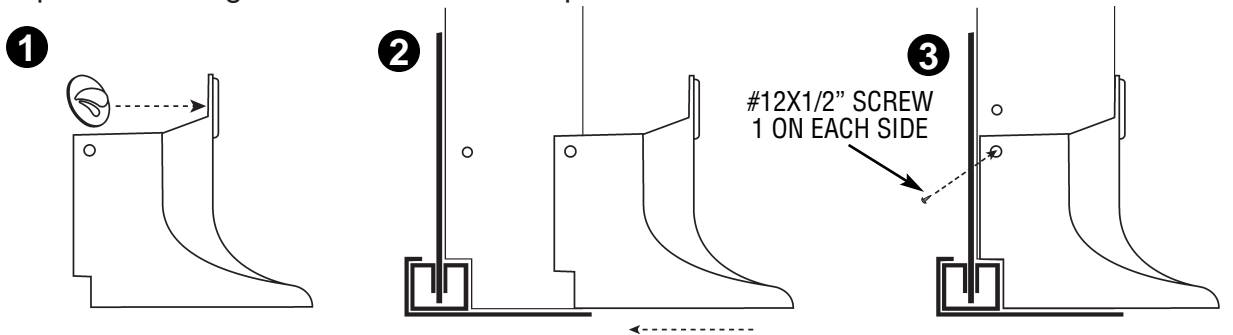
- 1 - Insert the logo into the cover.
- 2 - Slide the outside cover into position and align the hole in the cover with the cage nut attached to the top plate. Secure using the 1/4"-20 x 3/4" screw provided.
- 3 - Insert the back of the top cover onto the back of ledges. and securely snap the top cover into the hole in the front of the outside cover.
- 4 - Align the holes on the side of the bottom wrap with the holes on the top of the vertical. Secure the cover using the #12 x 1/2" screws provided.



If your pool vertical does not have holes, simply use the cover or the pedestal as a template and drill through the vertical using a 9/64" diameter drill bit, being careful not to damage the pool wall.

WRAP AROUND PEDESTAL

- 1 - Insert the logo into the pedestal.
- 2 - Place the pedestal onto the bottom of the vertical and align the holes on the side of the wrap with the holes on the bottom of the vertical.
- 3 - Secure the pedestal using the #12 x 1/2" screws provided.



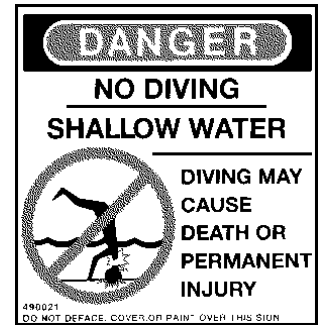
WARNING

WARNING LABELS

24

Four (4) danger labels have been provided for your safety. Apply these labels to the pool where they are easily visible to all persons using the pool. To do this, simply peel the backing off the label to expose the self stick back and firmly press to a conspicuous and plainly visible surface on the pool.

DO NOT REMOVE THE DANGER OR WARNING LABELS UNDER ANY CIRCUMSTANCES



POOL USER WARNING LABELS

25

The manufacturer has provided warning signs to prevent diving and/or jumping into your pool. Alert all pool users to these signs.

Should you need additional labels for any reason, the manufacturer will supply these labels to you at your request. Simply order the desired label by part number either from your local dealer or direct from the manufacturer.



#490090



#490091



#490021

SAFETY BROCHURES AND EDUCATION PROGRAMS

26

Educational programs and materials, (i.e. seminars, workshops, brochures, videos, instructional guides, etc.) are available from NSPI, NSPF, other aquatic safety groups, and by private firms. As a means of communicating useful safety information to pool owners and users industry members are permitted to provide such information to owners and to request or require owners to sign a statement that they have received, read and will follow the guidelines.

The following books are available through the National Pool & Spa Institute:

"The Sensible Way To Enjoy Your Aboveground/Onground Swimming Pool" ...published by the NSPI

"Children Aren't Waterproof" ...published by the NSPI

"Layers of Protection" ...published by the NSPI

"Pool and Spa Emergency Procedures For Infant And Children" ...published by the NSPI

Contact: **APSP**
2111 Eisenhower Avenue
Alexandria, VA 22314
(703) 838-0083
www.APSP.org

Contact: **NSPF**
10803 Gulfdale Suite 300
San Antonio, TX 78216
(210) 525-1227
www.NSPF.org


APSP
*The Association of
Pool & Spa Professionals*

SAFETY TIPS - RULES AND REGULATIONS

This section is designed to acquaint you with some guidelines as to the safe operation and use of your pool.



- **Do not dive or jump into your pool. Your pool is approximately 48" or 52" deep. It is not designed for diving or jumping. If you dive or jump into the pool, you run the high risk of permanent injury or death. Alert all family members and guests of this fact. Point out the DO NOT DIVE labels supplied with the pool.**
- **Do not install a slide or a diving board as your pool is approximately 48" or 52" deep and not designed to be used with them.**
- A list of emergency phone numbers of the following should be conspicuously posted and should be kept at hand at the phone nearest to the pool:
 - A. Nearest available police, fire and or rescue unit.
 - B. Nearest available physician.
 - C. Nearest ambulance service.
 - D. Nearest available hospital.



- **Never permit the pool to be used unless at least one person other than the bather is present. Children must always be under careful adult supervision.**
- Never leave the pool open and unattended. Remove the ladders or other means of entry when it is unattended. As a further precaution, the pool should be covered when it will not be used for any extended period of time.



- Do not walk on, climb on, sit on, stand on, or dive from the top seat of the pool. It is not designed for this. If you do, you run a risk of permanent injury or death from a serious fall.

- Never run the filter while there are swimmers in or around the pool. Be sure electrical hook-ups comply with national and Local electrical codes.
- Do not dispense chemicals into the pool while the pool is being used. Poisoning or painful skin irritations can occur.
- Do not permit horseplay or dangerous water games in and around your pool. Remember that the pool area may be wet and slippery, and accidents resulting in serious injuries can be prevented if rules of behavior are strictly enforced.
- Keep the water sanitary and healthful at all times, maintain pool sanitation with the use of a good filter system and the regular application of water purifying chemicals. Unsanitary water is a potential health and safety hazard.
- Lighting should be provided to illuminate safety signs, deck surfaces, and walks during nighttime pool use.
- Do not allow toys, chairs, tables, filtration system's pumps, heaters or other objects that a young child could climb, to be within four feet (4') of the pool.
- Teach your children to swim.
- Parents and or guardians should learn C.P.R.
- Keep all electrical radios, speakers and other appliances away from the swimming pool.
- Keep the deck and pool area clean and clear of objects that may create a tripping hazard.
- When you touch the filters, pump or electrical parts, make sure the ground under your feet is "Bone Dry".
- Face pool ladder(s) going up or down.
- Allow only one person at a time on the pool ladder(s).
- Instruct pool users about the proper use of all pool ladder(s) and staircases.

**COMMON SENSE SAFETY PRECAUTIONS
CAN PREVENT ACCIDENTS AND SERIOUS INJURY**

PREVENTATIVE MAINTENANCE TIPS

- Use clear lacquer or clear nail polish to cover screw heads.
- Use clear lacquer or nail polish to cover any scratches on ledges or verticals to prevent rust and corrosion.
- Use wax to protect the pool wall and frame from the elements.
- Never leave the pool drained (without water). This can cause liner shrinkage and damage the pool wall and frame.
- If you use the Thru The Wall fittings for your filter and decide to dismantle your pool or remove your liner, it is possible that you may not be able to realign these holes and a new liner may have to be purchased.
- Check regularly for signs of wear or loose bolts that could make the pool, the pool ladder, the pool deck, or any other related object unsafe.
- For pool service, select a certified pool professional.

WARNING

Check all the metal on the pool frame and pool wall for signs of corrosion or deterioration. Remove any corrosion and touch up with paint. Excessive deterioration can lead to failure of the pool structure, which might release large quantities of water that could cause bodily harm and property damage.

Make sure skimmer does not leak as this will corrode the pool wall and cause a split in the wall that is not covered under the pool warranty.

DANGER

After the pool has been completely assembled and filled with water, do not attempt to make any structural changes or to disassemble the pool. Disregard of the above warning can cause pool collapse, property damage and serious injury.

LIFE SAVING EQUIPMENT

It is recommended that one or more of the following lifesaving items are on hand at all times within the pool area.

- A. A light, strong, rigid pole (shepherd's crook) not less than 12' long with blunt ends.
- B. A 1/4" diameter throwing rope as long as 1 1/2 times the maximum width of the pool, or 50' whichever is less, which has been firmly attached to a ring buoy with an outside diameter of approximately 15" or some other similar flotation device.

WINTER CARE

GENERAL COMMENT: In as much as these pools are distributed to users in all geographical areas and are installed under varying climactic conditions, you must use your own judgment to determine the wisdom of leaving your pool up through the winter. The manufacturer cannot assume any responsibility for pool failure which might result from winter hazards, or from misuse or neglect. To winterize your pool properly you must follow these steps:

1. If thru wall skimmer inlet and outlets are used, the skimmer must be blocked off with a block off plate to prevent any water from laying in the skimmer. The return fitting must also be blocked off by using a plug on the inside of the pool. It is very important that the return fitting not protrude into the pool and that water is not allowed to flow into the skimmer. If this is not followed, when the ice in your pool forms it will grab onto your skimmer and return fittings, and if the ice should shift it will rip your wall at these locations.
2. A properly sized ice compensator (pool pillow) must be secured in the pool water to relieve the ice pressure that can exert severe pressure on the pool wall.
3. Proper chemicals must be used in order to prevent algae growth throughout the winter. A strong concentration of chlorine and an algaecide will help.
4. A cover must be used to keep out dirt and debris from the pool. It is important when securing the cover that enough slack is used so that it rests on the top of the water so that the pressure is not on the pool frame. A build up of snow on the top of the cover should be removed.

While the pool is winterized it is important that it remain undisturbed throughout the winter months.

CARE OF POOL WATER

AT THE START OF THE SEASON HAVE YOUR WATER TESTED AT A PROFESSIONAL POOL STORE

HOW TO KEEP WATER CLEAR AND HEALTHFUL

Your health, and maximum enjoyment is assured by keeping your pool water in sparkling clear and sanitary clean condition. In order to obtain this condition certain equipment and chemicals available at your pool dealer are necessary.

Equipment, such as a filter according to the size of your pool, skimmer and a vacuum cleaner will take care of removing suspended particles, leaves and oils from the water. A small wading pool for washing the feet of those entering the pool and a pool cover when the pool is not in use are recommended to reduce dirt in the water. Utilizing this type of equipment will keep your pool sparkling clear, but it will not purify the water. Purification (killing of bacteria and algae) is accomplished by the use of chemicals.

Chlorine is the most commonly used bacteria killer for water. To make the chlorine work properly it is necessary to keep the pool water at the proper acid-alkaline balance.

A reliable pool water test kit will help to determine the daily chlorine dosage and the acid-alkaline condition of the water. You will find in the test kit two different color comparators. The yellow side is for chlorine. The color of your pool water sample after adding some drops of chlorine indicator solution should be in the range of the color comparator of 0.3 to 0.6 p.p.m (parts per million). If the reading is below 0.3, add more chlorine to the water. If the reading is higher than 0.6 add fresh water to the pool or leave it unused until the reading drops. A too high content of chlorine will irritate the skin and eyes. The pink side in the test kit will help you establish the acid-alkaline condition of the water. The color of your pool water sample after adding some drops of pH indicator solution should be in the range of 7.2 pH to 7.6 pH of the second color comparator. PH is the technical term for the measure of acidity or alkalinity of water. Readings below 7.0 indicate acidity, while readings higher than 7.0 indicate alkalinity. At 7.0 pH the water is neutral.

The pool water should be kept slightly alkaline at 7.2 to 7.6 pH. At this reading the water will be soft, comfortable and the chlorine most effective. If the pH reading goes below 7.2 add soda ash. If the pH reading goes over 7.6 add sodium bisulfate.

An acid condition will cause rapid consumption of the chlorine, irritation of eyes and skin and will corrode the pool equipment. *On the other hand* a higher degree of alkalinity will slow down the chlorine action of killing bacteria and algae, make the water cloudy and diminish its freshness. A higher than pH 7.8 alkaline condition of the water will cause stiffness, brittleness, and considerable shrinkage of the liner. Since the chlorine compound is basically alkaline, the continuous use of it will increase the alkalinity of the water.

At the beginning of the season treat your pool water with a water conditioner to prevent the building up of a high degree of alkalinity. Some algae and bacteria become immune to low chlorine concentration, therefore, every two weeks the pool should be super-chlorinated (shock treatment) with about double or even triple the normal dosage of chlorine. Do not use the pool after shock treatment for at least 12 hours, then check chlorine content and pH and make sure both are in the right balance.

At the start of the season use algaecides to prevent growing of algae and add it regularly to reduce chlorine requirements.

Hard water: high content of minerals or iron in the water - often found in well water - will react with chlorine lowering its action. By adding alum powder (turn off the filter during this process) coagulated particles will settle to the bottom and the water will become soft. Do not use the pool for 24-48 hours, then turn on the filter, vacuum and check pH and chlorine content. (Replace the filter element).

IMPORTANT HINTS:

Follow the label directions of the manufacturer when using chemicals. However, the real chemical balance depends on various factors such as volume of pool water, temperature, exposure to sun, dirt and number of swimmers. Therefore, make sure the reading for chlorine is always 0.3 to 0.6 p.p.m and the pH 7.2 to 7.6

Check the chlorine and pH every evening, when nobody is in the pool and adjust according to reading the necessary amount of chemicals. Before using the pool the next day check again to make sure the water has the right chemical balance. A strong chlorine smell above the pool water indicates evaporation of chlorine. More chlorine should be added to the water. Be sure to check pH level again.

All chemicals must be dissolved thoroughly. Improperly dissolved chemicals may cloud the water, shorten the filter cycle and damage the liner. A proper pH and the correct chlorine content of the pool water are essential for the protection of all metal parts.

Keep filter running when adding diluted chemicals.

WARNING

PREVENT DROWNING. NEVER SWIM ALONE. WATCH CHILDREN AT ALL TIMES.
KEEP A 4 FT. CLEAR SPACE AROUND POOL FREE
OF ANY OBJECTS THAT MAY PROVIDE ACCESS TO THE POOL